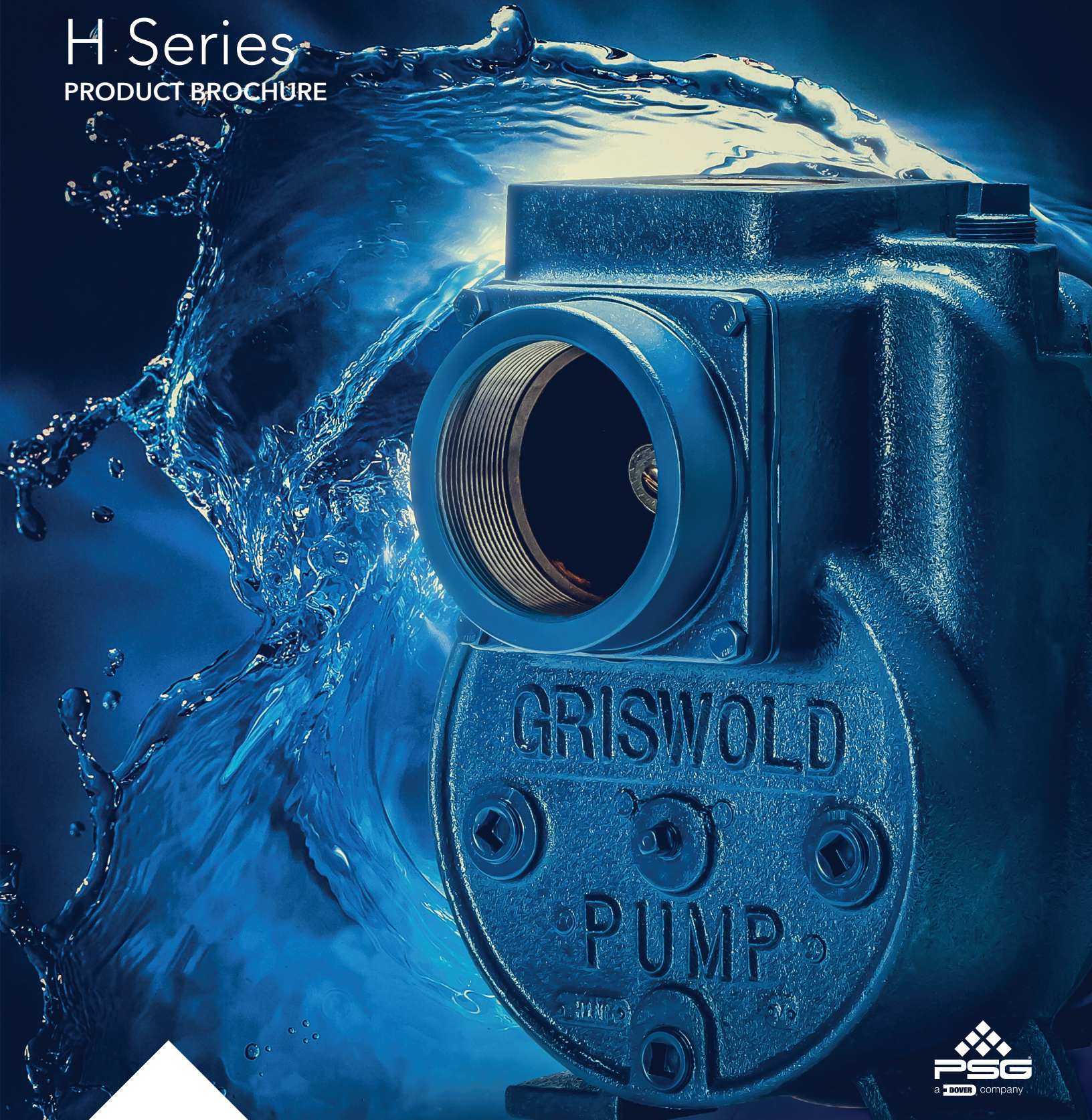


# H Series

PRODUCT BROCHURE



GRISWOLD

PUMP



Where Innovation Flows



## Who We Are – Griswold™ Centrifugal Pumps



Griswold™, a product brand of PSG, is a premier manufacturer of centrifugal pumps and baseplate systems. Griswold provides world-class engineering expertise, lean manufacturing, testing capabilities and exceptional customer support to meet customers' most demanding application requirements. Backed by a world-class testing facility and quality procedures, Griswold centrifugal pumps have the ability to withstand the most demanding application requirements while minimizing project costs.



BARGES AND  
TANK CARS



GENERAL TRANSFER  
APPLICATIONS



IRRIGATION



LIGHT  
INDUSTRIAL



MARINE



UNDERGROUND  
STORAGE/SUMP

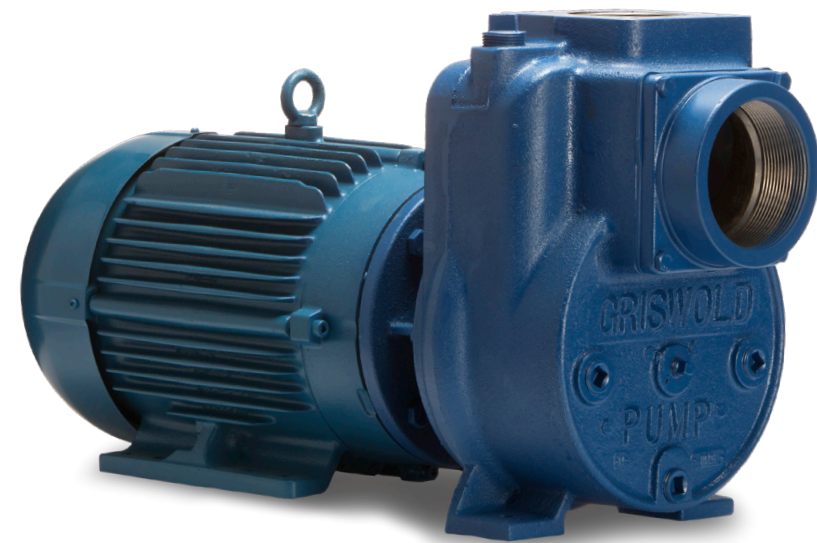


# Engineered for Flexibility & Durability

## TECHNOLOGY: SELF-PRIMING CENTRIFUGAL PUMPS

### H Series Centrifugal Pumps

The Griswold H Series is a unique line of self-priming centrifugal pumps used for a variety of water applications. The H Series pumps have been designed to lift water up to 25 ft and perform where other self-priming pumps can't.



### Applications:

- Draining Barges
- Tank Cars
- Underground Storage Tanks
- Sprinkler Systems
- Swimming Pools
- Marine
- Irrigation
- Water Sumps

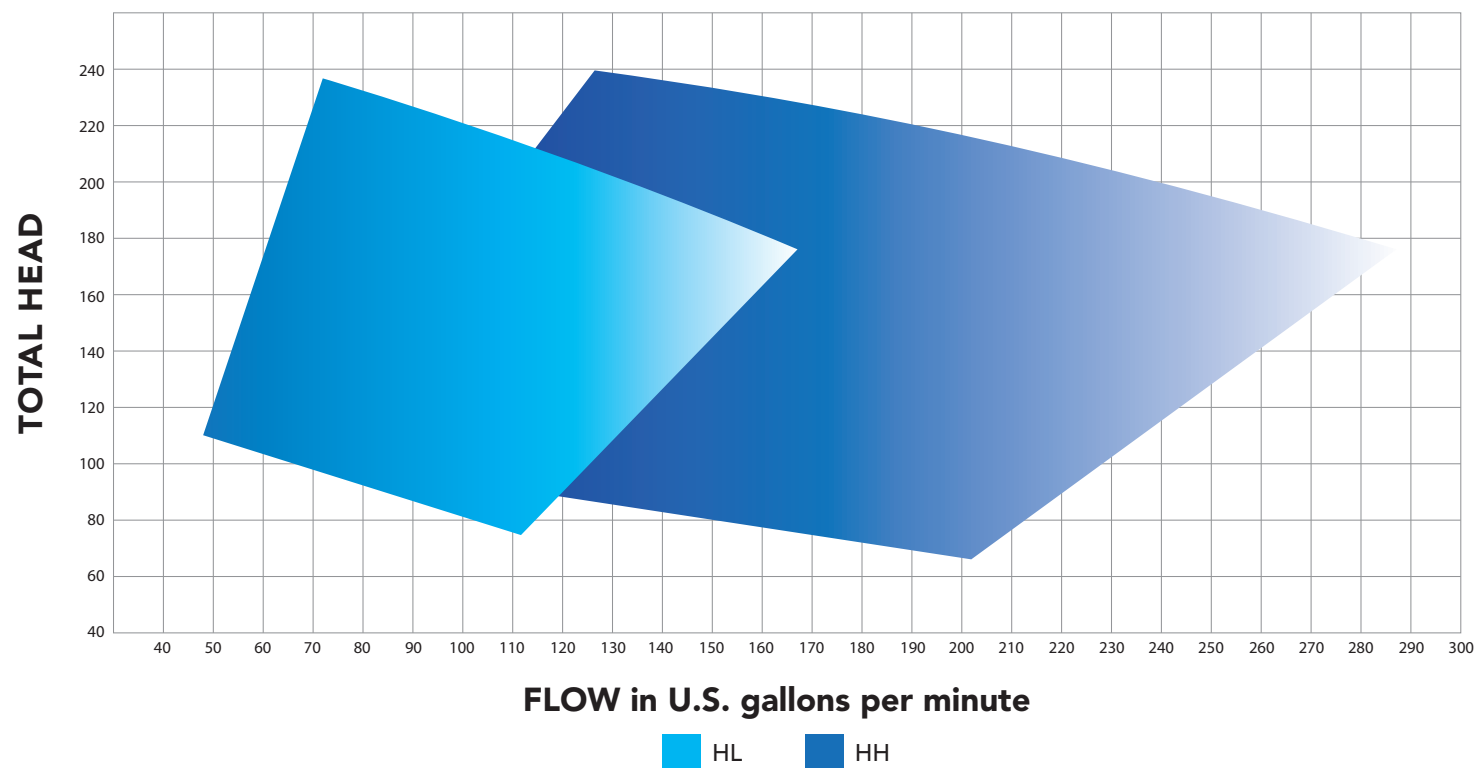
### Features and Benefits:

- Maintain prime even when check valves or foot valves have failed
- High suction line keeps the impeller and mechanical seal covered with water eliminating the need to reprime the pump; protects the seal from running dry and costly replacements
- Available with variety of drives

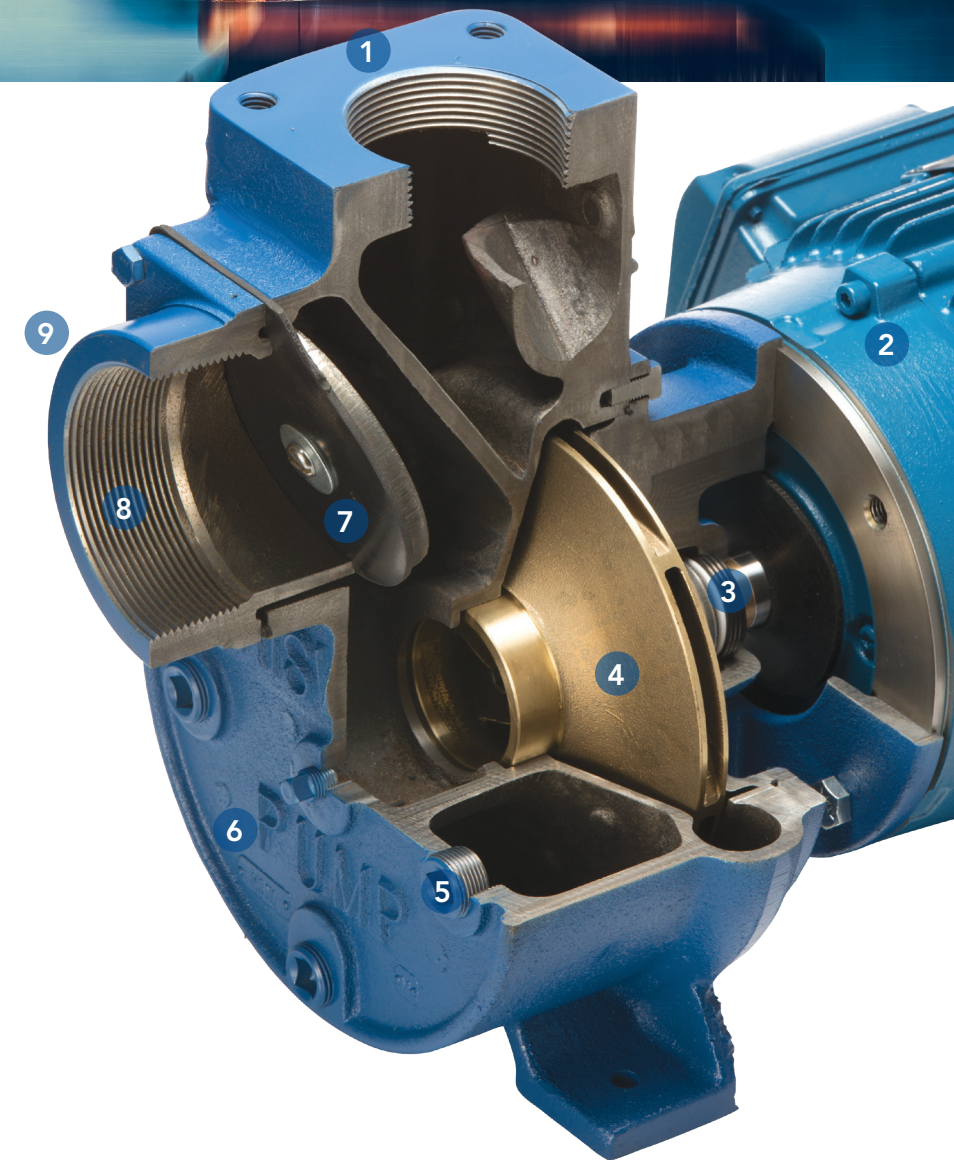
### Technical Data:

- Pressures up to 110 psig (260 ft.) and flows to 325 gpm

### H Series Performance Coverage



- 1 NPT/Flanged Discharge Connection**  
**Discharge Dual Connections** – Both pumps can be connected by either NPT threads or ANSI flanges. (See Discharge Driver Options Size Chart)
- 2 Close Coupled JM Frame**  
**ODP or TEFC Motors**  
Frame mount option for base mount applications.
- 3 Carbon/Ceramic/Buna Mechanical Seal**  
**Standard with Bronze Sleeve**  
This renewable bronze shaft sleeve insulates the shaft from abrasion and contact with pumped liquids. Carbon and ceramic faces available, plus stainless-steel components eliminate maintenance problems. Other seal options are available including Hard Faced Options.
- 4 Totally Enclosed, Single-Piece Design,**  
**Cast Bronze Impeller**  
Impeller is balanced and trimmed for specific operating range.
- 5 3/4" NPT Accessory Connections**  
The HL and HH models have (3) 3/4" NPT plugged connections on the case for accessories to be installed or auxiliary water outlets.
- 6 Heavy-Duty Cast Iron Casing**  
Heavy-duty cast iron ASTM A48 class 30 case with built-in drain and priming plugs and bolt-on suction flange. Extra-large priming chamber for fast, trouble-free priming.
- 7 Flapper Type Check Valve**  
**Built-In Check Valve** – Prevents siphoning and need for repriming. No external check valve is required. Designed for easy replacement.

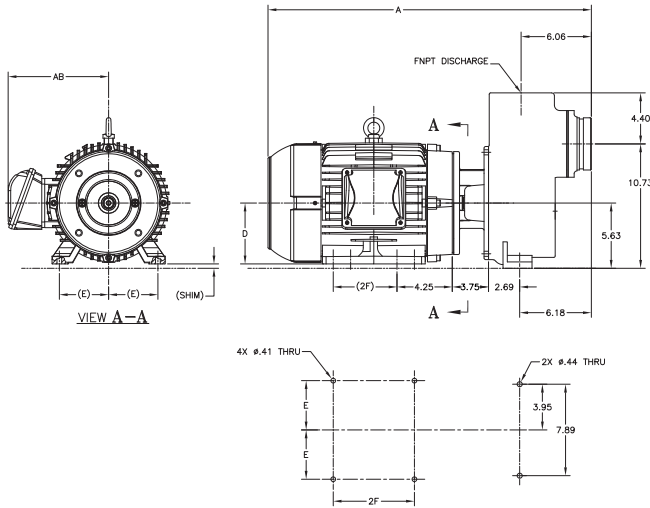


- 8 Above Centerline Suction Connection**  
Thanks to a suction line located higher on the pump housing than conventional centrifugal pumps, the impeller and mechanical seal on the H Series remains covered with water at all times, eliminating the need to reprime the pump while protecting the seal from running dry and costly replacements.
- 9 NPT/Victaulic Suction Flange**  
Bolt-on suction flange available in a variety of sizes to accommodate your specific flow. (See Suction Size Chart)

# H Series Configurations

## Closed Coupled

- ODP-JM Motor Frame
- TEFC-JM Motor Frame

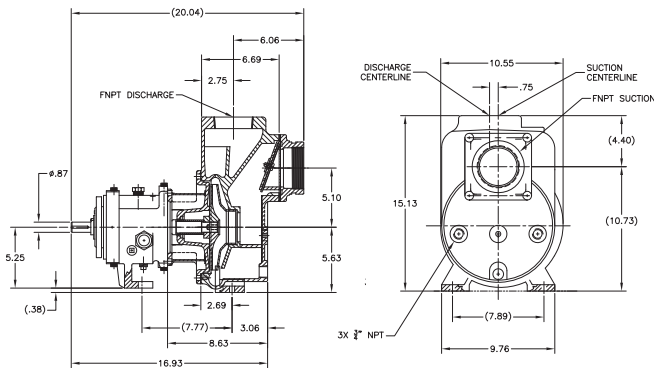


Single Phase Drip Proof (inches)								
Motor	Frame	A	AB	B1	BA	2F	D	E
3 HP	182 JM	23.16	6.69	2.875	3.50	4.50	4.50	3.75
5 HP	184 JM	23.16	6.69	2.875	3.50	5.50	4.50	3.75
7.5 HP	213 JM	26.68	7.97	2.875	4.25	5.50	5.25	4.25
10 HP	215 JM	26.68	7.97	2.875	4.25	7.00	5.25	4.25
Three Phase Drip Proof (inches)								
3 HP	145 JM	21.66	5.87	2.875	2.75	5.00	3.50	2.75
5 HP	182 JM	23.16	6.69	2.875	3.50	4.50	4.50	3.75
7.5 HP	184 JM	23.16	6.69	2.875	3.50	5.50	4.50	3.75
10 HP	213 JM	26.68	7.97	2.875	4.25	5.50	5.25	4.25
15 HP	215 JM	26.68	7.97	2.875	4.25	7.00	5.25	4.25
20 HP	254 JM	29.51	9.45	3.75	4.25	8.25	6.25	5.00
Three Phase TEFC (inches)								
5 HP	182 JM	23.16	7.56	2.875	2.75	4.50	4.50	3.75
7.5 HP	184 JM	23.16	7.56	2.875	2.75	5.50	4.50	3.75
10 HP	213 JM	27.87	8.58	2.875	3.50	5.50	5.25	4.25
15 HP	215 JM	27.87	8.58	2.875	3.50	7.00	5.25	4.25
20 HP	256 JM	30.76	10.48	3.75	4.25	10.00	6.25	5.00

NOTE: All dimensions are for reference only

## Long Coupled

- Build with ANSI grade power frame



## Flange Options

Pump Size	Suction	Discharge
HL	3" NPT/4" Victaulic Groove	2" NPT/2" 125# Flange
HH	4" NPT	3" NPT/3" 125# Flange

NOTE: The discharge port is flanged and threaded

## Pressure and Temperature Capability

	Temperatures up to 100°F	Temperatures over to 100°F
Pressure	120 psig	Contact Factory



## Seal Options

- Carbon Ni-Resist FKM
- Carbon Silicon Carbide FKM
- Silicon Carbide Silicon Carbide FKM
- Silicon Carbide Tungsten FKM



PSG  
22069 Van Buren Street  
Grand Terrace  
CA 92313-5607 USA  
USA  
P: +1 (909) 512-1262  
F: +1 (909) 783-3440  
[griswoldpump.com](http://griswoldpump.com)



Where Innovation Flows

GRS-12000-C-04

Copyright 2021 PSG®, a Dover company

Authorized PSG® Partner: