

SEALTECTA™

Thermal Relief Valve



Features

- Thermal relief valve
- Discharges water at set temperature
- Self actuating
- Fits directly to seal drain connection

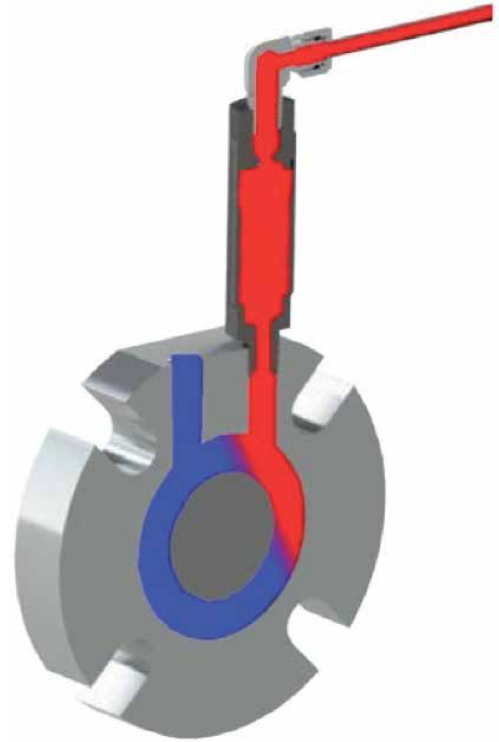
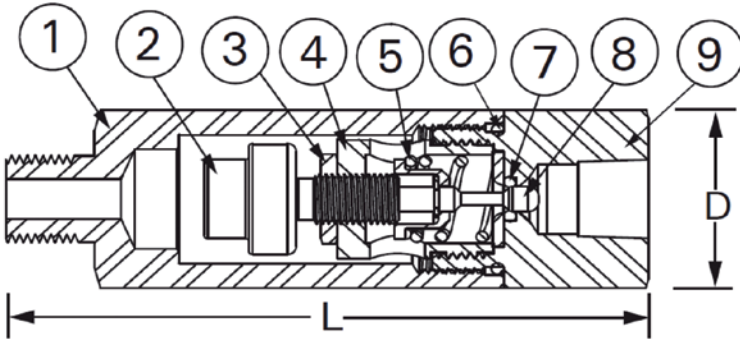
Benefits

- Keeps mechanical seal cool
- Saves water and drainage costs
- Simple operation
- Easy installation
- Maintenance free

SEALTECTA

The SEALTECTA™ is designed to minimize the use of water in quench to drain applications. Instead of continuously discharging water to drain the SEALTECTA™ valve only activates and discharges water when it reaches the predetermined / pre-set temperature. The cool water supply replenishes the warm discharged water with cool water and the valve closes until the set temperature is reached again. The SEALTECTA™ is highly reliable and will continue to cycle saving a significant volume of water and associated water treatment costs.

This low cost solution is fitted directly to the mechanical seal drain and is easy to install, simple to operate and is virtually maintenance free.



ITEM	DESCRIPTION	MATERIAL
1	Valve Body	300 series Stainless Steel
2	Thermal Actuator	300 series Stainless Steel
3	Locknut	300 series Stainless Steel
4	Retainer	300 series Stainless Steel
5	Operating Spring	300 series Stainless Steel
6	Sealing O-Ring	Buna-N
7	Seat Seal	Buna-N
8	Ram-Type Plug	300 series Stainless Steel
9	Seat Housing	300 series Stainless Steel

CONNECTION	D	L	Weight	C _v	Maximum Operating Pressure	Maximum Temperature
1/4" NPT	28 (1.1")	91mm (3.6")	0.3Kg (0.7Lb)	0.5	27.6 BAR (400 PSIG)	121°C (250°F)

This brochure is fully recyclable. When laminated, a sustainable, biodegradable and recyclable lamination is used.

For further information and safe operating limits contact our technical specialists at the locations below.



UK Sales & Technical advice:

AESSEAL plc
Mill Close
Bradmarsh Business Park
Rotherham,
S60 1BZ, UK
Tel: +44 (0) 1709 369966
E-mail: enquiries@aes seal.info
www.aes seal.com

AESSEAL plc is certified to:

ISO 9001, ISO 14001, ISO/IEC 20000, ISO/IEC 27001,
ISO/TS 29001, ISO 37001, ISO 45001 & ISO 50001



Net Zero champions globally



Use double mechanical seals with hazardous products.

Always take safety precautions:

- Guard your equipment
- Wear protective clothing



USA Sales & Technical advice:

AESSEAL Inc.
355 Dunavant Drive
Rockford,
TN. 37853,
USA

Tel: +1 865 531 0192
E-mail: usa@aes seal.com
www.aes seal.com

Important: Since the conditions and methods of use of this product are beyond our control, AESSEAL plc expressly disclaims any and all liability resulting or arising from any use of this product or reliance on any information contained in this document - AESSEAL plc standard conditions of sale apply. All sizes are subject to manufacturing tolerances. We reserve the right to modify specifications at any time. AESSEAL® is a Registered Trademark of AES Engineering Ltd. AESSEAL plc recognizes all trademarks and trademark names as the property of their owners.