



PRICE PUMP®

HP75

PUMP VOLUTE / IMPELLER MATERIALS

- HP75 (BN) – BRONZE / CPVC
- HP75 (BS) – BRONZE / 316SS
- HP75 (CN) – CPVC / CPVC
- HP75 (CS) – CPVC / 316SS

APPLICATIONS

- CHILLERS / LIQUID COOLING
- CHEMICAL PROCESSING
- BOOSTER PUMPS
- WATER PURIFICATION
- CIRCULATION / FILTRATION
- AIR CONDITIONING / HEAT RECOVERY



GASKET DESIGN

STANDARD SPECIFICATIONS

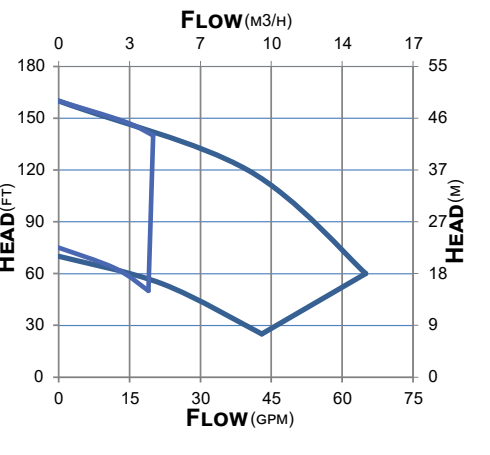
- DISCHARGE 3/4" FNPT, SUCTION 3/4" FNPT
- MAXIMUM IMPELLER DIAMETER: 6.00"
- MOTOR: NEMA 56J FOOTLESS (MULTIPLE ENCLOSURES AVAILABLE)
- PUMP ENERGY INDEX: .746-.892

MECHANICAL SEAL TYPES

- SINGLE, 5/8" TYPE 6 BUNA, CARBON VS. CERAMIC
- NOTE: ADDITIONAL SEAL OPTIONS AVAILABLE
- BRACKET MATERIAL: CAST IRON (BRONZE OPTIONAL)
- BELL GASKET MATERIAL: EPR (VITON OPTIONAL)

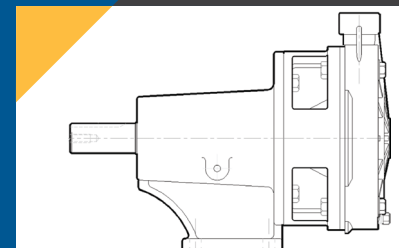
OPTIONAL CONFIGURATIONS

- POWER FRAME MOUNTING
- LONG-COUPLED MOUNTING



FEATURES

- END BELL GASKET DESIGN – ISOLATES
- CAST IRON MOTOR BRACKET FROM LIQUID FLOW
- CONFIGURATION – COMPACT, CLOSE COUPLED
- DESIGN
- MOTOR SHAFT – THREADED



2203 SMEED PARKWAY CALDWELL, ID 83605

MAIN (208) 402-6871

TOLL FREE (800) 345-7867

EMAIL SALES@PRICEPUMP.COM

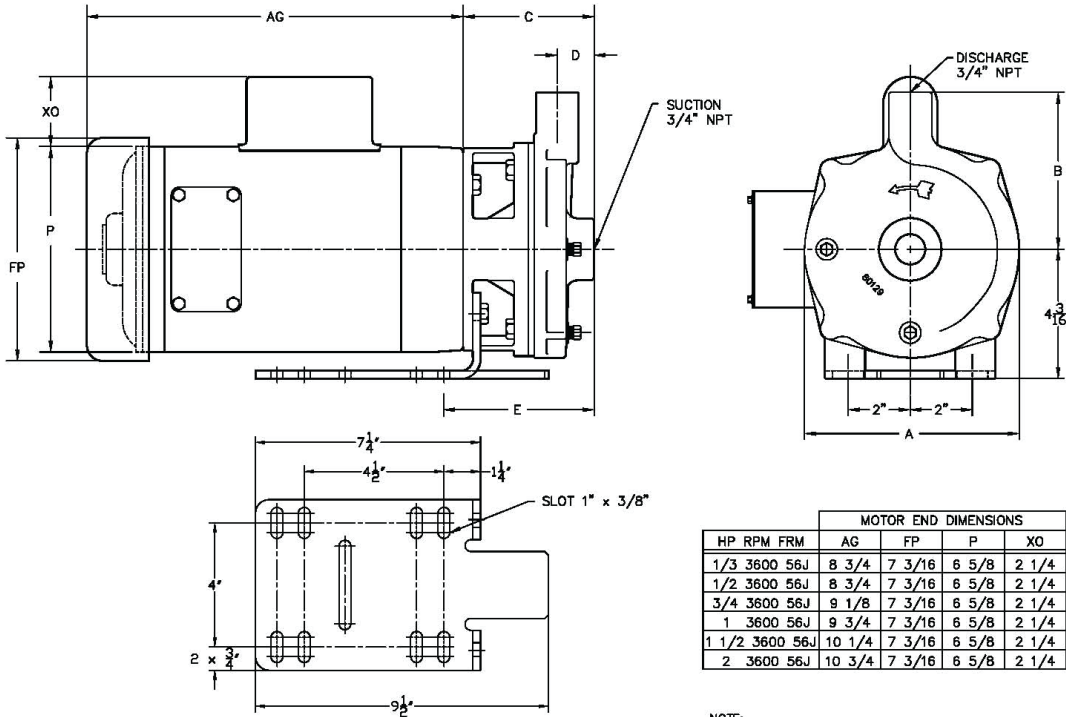
PRICEPUMP.COM





PRICE PUMP®

HP75



MOTOR END DIMENSIONS						
HP	RPM	FRM	AG	FP	P	XO
1/3	3600	56J	8 3/4	7 3/16	6 5/8	2 1/4
1/2	3600	56J	8 3/4	7 3/16	6 5/8	2 1/4
3/4	3600	56J	9 1/8	7 3/16	6 5/8	2 1/4
1	3600	56J	9 3/4	7 3/16	6 5/8	2 1/4
1 1/2	3600	56J	10 1/4	7 3/16	6 5/8	2 1/4
2	3600	56J	10 3/4	7 3/16	6 5/8	2 1/4

NOTE:
MOTOR DIMENSIONS WILL VARY BY MODEL AND MAKE.
DIMENSIONS ARE TO BE USED FOR REFERENCE ONLY.

MATERIAL	MODEL	A	B	C	D	E
BRONZE	HP75BN/ HP75BS	6 15/16	5 1/8	4 1/8	1 3/16	4 7/8
KANIGEN	HP75KN/ HP75KS	6 15/16	5 1/8	4 1/8	1 3/16	4 7/8
CPVC	HP75CN/ HP75CS	7 1/8	4 11/16	4	1 3/16	4 5/8

NOTE:
ALL DIMENSIONS ARE ROUNDED TO THE
NEAREST 1/16 INCH.

DIMENSIONS

MATERIALS OF CONSTRUCTION

HP75	BN	BS	KN ⁺	KS ⁺	CN	CS
VOLUTE	BRONZE	BRONZE	CF	CF	CPVC	CPVC
IMPELLER	CPVC	316SS	CF	CF	CPVC	316SS
BRACKET	CAST IRON (BRONZE OPTIONAL)					
FASTENERS	STAINLESS STEEL	STEEL- ZINC PLATED		STEEL- ZINC PLATED		
GASKET	EPR (VITON OPTIONAL)					

* KANIGEN IS AN ELECTROLESS NICKEL PLATING- CONTACT FACTORY FOR DETAILS

TECHNICAL INFORMATION

MAX FLOW (CPVC IMPELLER)	20 GPM (4.5 M3/HR)
MAX FLOW (316SS IMPELLER)	55 GPM (12.5 M3/HR)
MAX HEAD	165 FEET (50 M)
MIN. FLOW	0.5 GPM (0.12 M3/HR)
MAX SOLID SIZE	0.030" (0.76 MM)
MAX (TYPE 6 SEAL)	75 PSI (5.2 BAR)
WORKING (TYPE 2106 SEAL)	150 PSI (10.3 BAR)
PRESSURE (TYPE 21 SEAL)	150 PSI (10.3 BAR)
MAX TEMP. (CN, BN, CS)	160°F (71°C)*
MAX TEMP. (BS)	300°F (149°C)*

* TEMPERATURE LIMITS ARE BASED ON STANDARD SEAL AND GASKET MATERIALS, AND WILL VARY ACCORDING TO THE LIQUID BEING PUMPED.



2203 SMEED PARKWAY CALDWELL, ID 83605

MAIN
(208) 402-6871

TOLL FREE
(800) 345-7867

EMAIL
SALES@PRICEPUMP.COM

PRICEPUMP.COM

