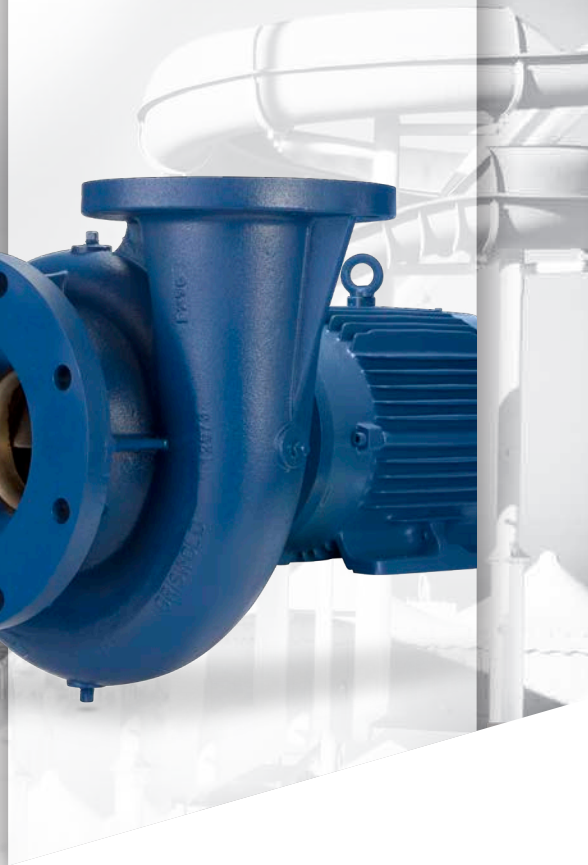




Heavy-Duty End Suction Centrifugal Pumps

GRISWOLD E,F&G
Parts Listing
& Exploded Views



Where Innovation Flows

griswoldpump.com

CENTRIFUGAL PUMPS

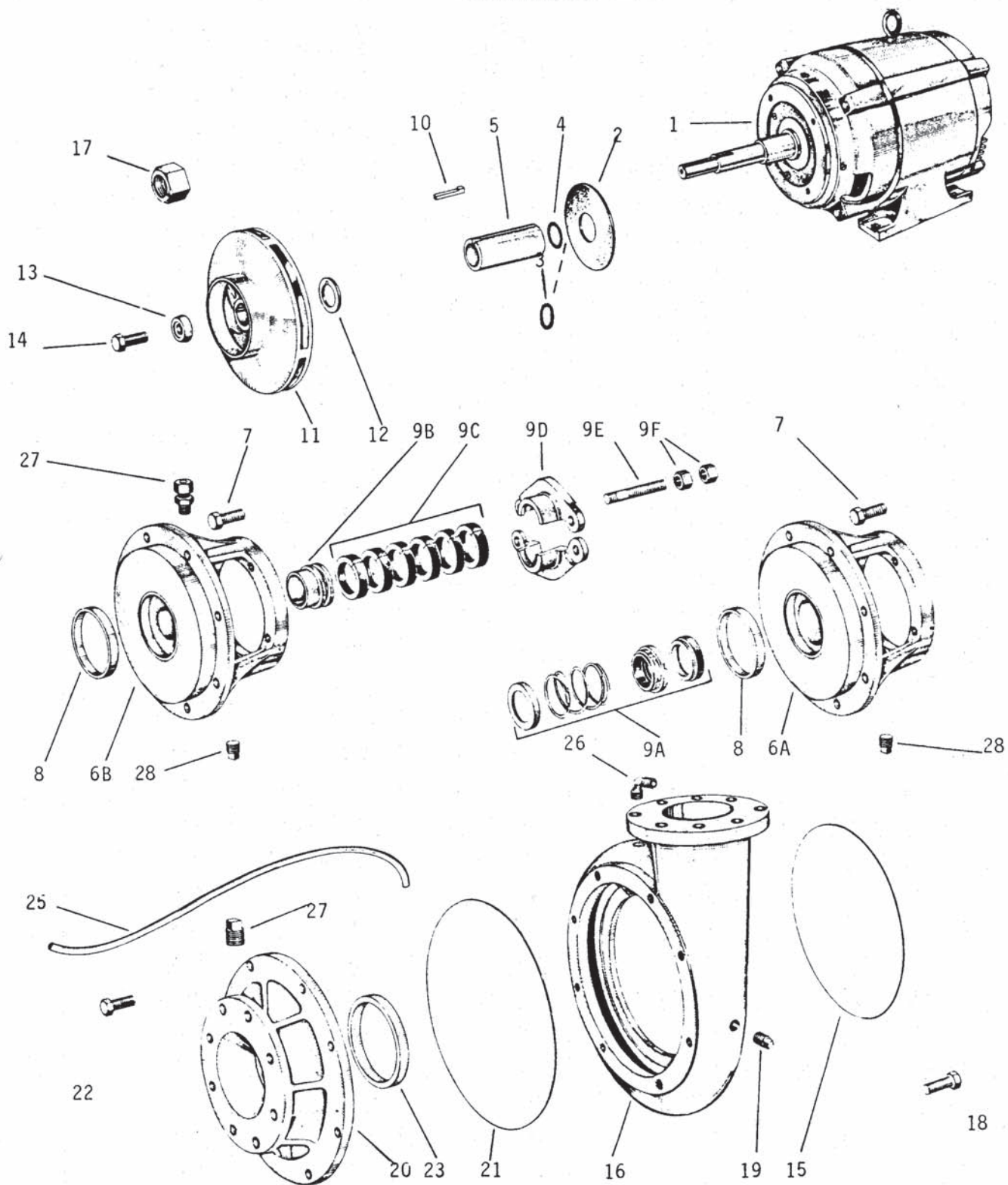




GRISWOLD PUMP CO.
PHONE +1 (909) 512-1262
FAX +1 (909) 783-3440

REPAIR PARTS

Series E

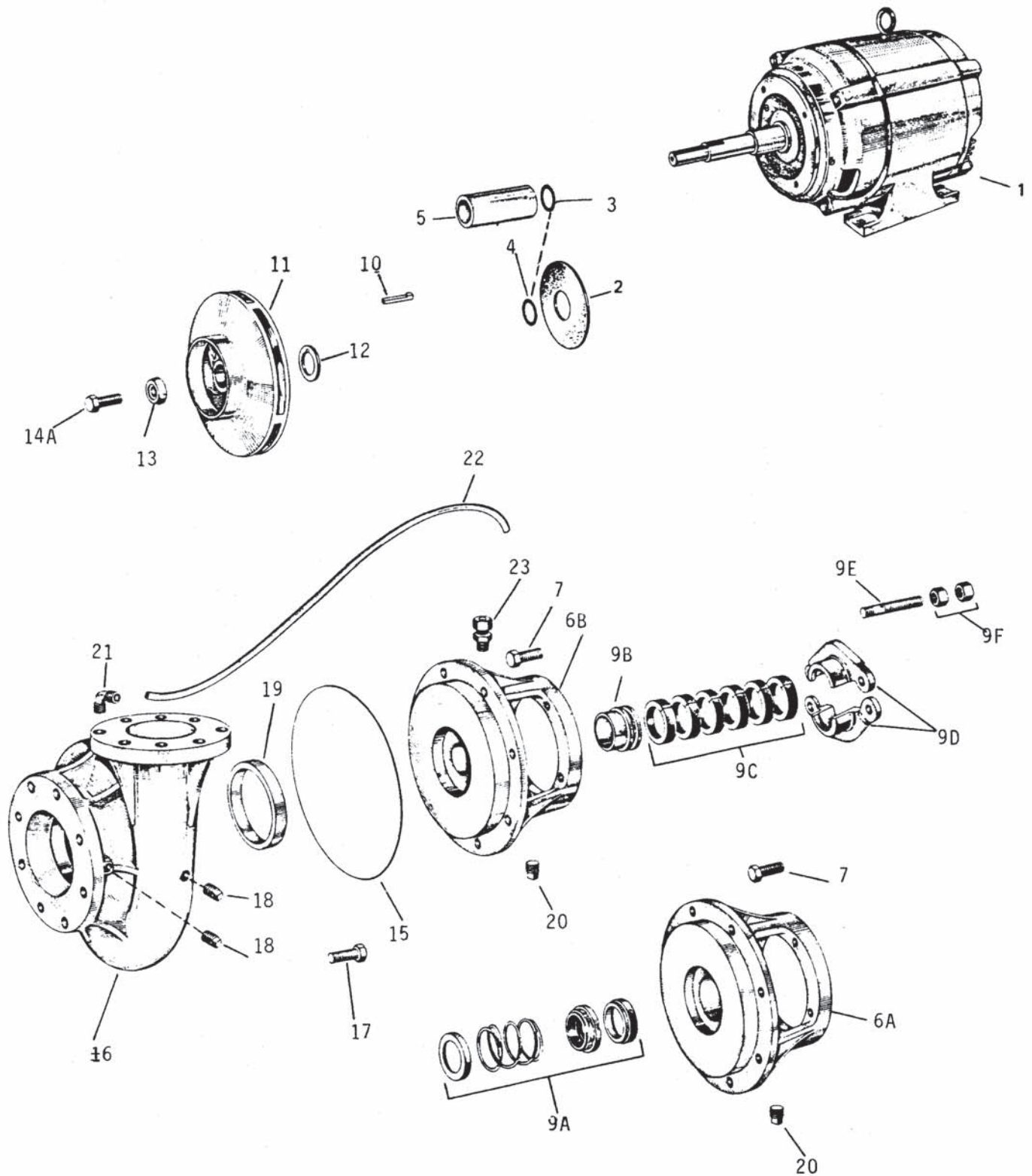




GRISWOLD PUMP CO.
PHONE +1 (909) 512-1262
FAX +1 (909) 783-3440

REPAIR PARTS

Series F

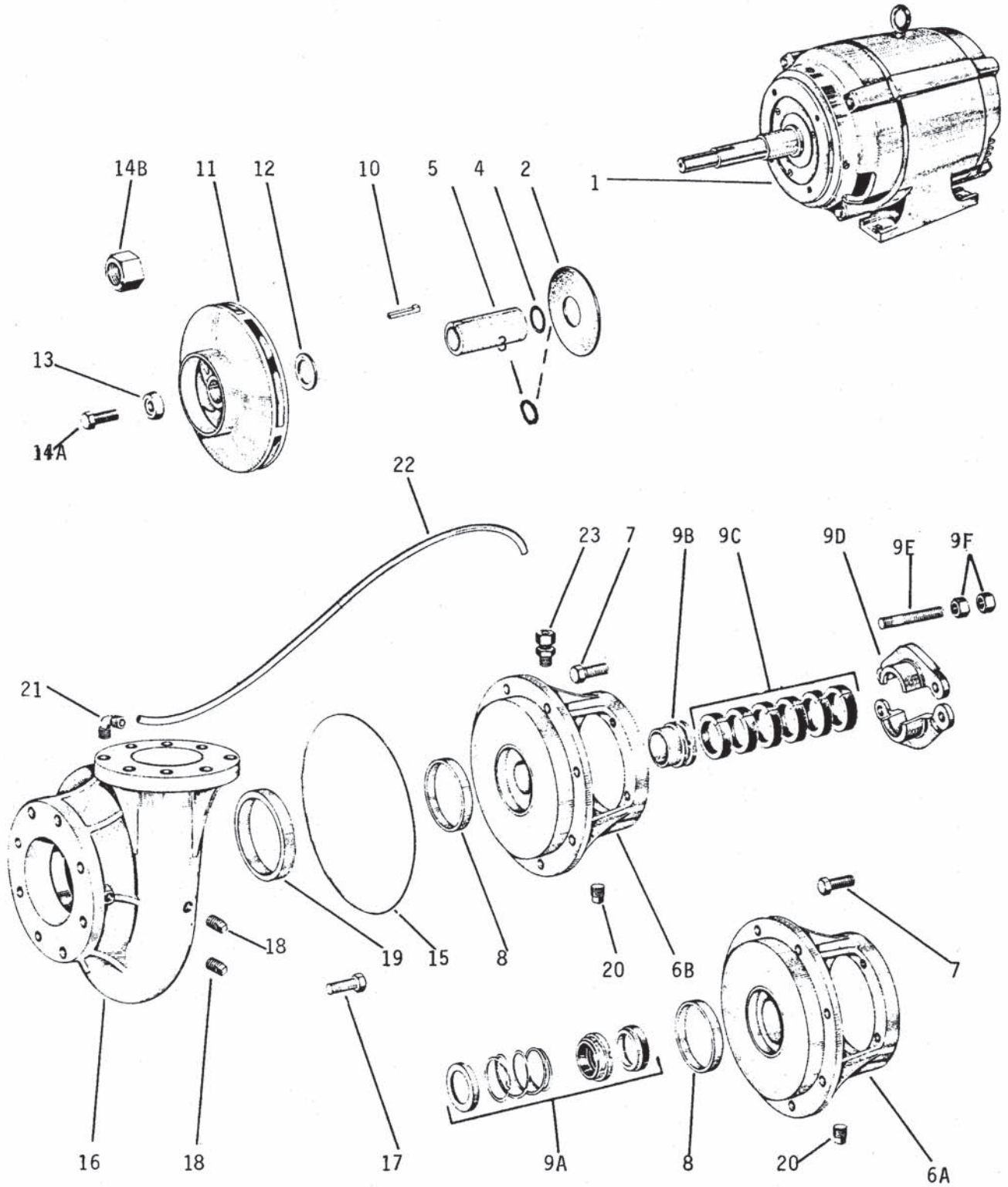




GRISWOLD PUMP CO.
PHONE +1 (909) 512-1262
FAX +1 (909) 783-3440

REPAIR PARTS

Series G



GRISWOLD PUMP CO.

E, F, G Repair Parts

Page 1

October 1, 2003

Item #	Description	R3EM3	R3EM5	R3EM7.5	R3EM10	Qty.
PUMPS	1Ph ODP	93053346	93053353	93053361	93053370	B/M
	1Ph TEFC	93053347	-----	-----	-----	B/M
	3Ph ODP	93053379	93053389	93053395	93053403	B/M
	3Ph TEFC	93053411	93053429	93053437	93053445	B/M
PUMP ENDS	1Ph	93053952	93053478	93053486	93053492	B/M
	3Ph	93053952	93053460	93053486	93053492	B/M
MOTORS	1Ph ODP	90114141	90114158	90114166	90114176	1
	1Ph TEFC	90114142	90114159	90114168	90114178	1
	3Ph ODP	90114182	90114190	90114208	90114216	1
	3Ph TEFC	90114604	90114620	90114638	90114661	1
1						
2	Deflector	22020408	22020408	22020408	22020408	1
4	Sleeve O-rings	47002209	47002209	47002209	47002209	2
5	Sleeve (Brz)	8287211	8287211	8287211	8287211	1
6A	Seal Bracket	2159408	1Ph 2119907	2119907	2119907	1
			3Ph 2159408			1
7	Mtr/Brkt Cap Screws	14129225SS	14129225SS	14178701	14178701	4
8	Brkt Wear Ring (Brz)	N/A	N/A	N/A	N/A	
9A	Mechanical Seal	10036903	10036903	10036903	10036903	1
10	Shaft Key	14412407	14412407	14412407	14412407	1
11	Impeller	5378211	5378310	5378419	5378518	1
12	Imp. Washer (SS)	14020408	14020408	14020408	14020408	1
13	Imp. Adapter (SS)	14412209	14412209	14412209	14412209	1
14	Imp. Bolt	ALLEN375	ALLEN375	ALLEN375	ALLEN375-	
		16X150U	16X150U	16X150U	16X150U	1
15	Brkt/Case O-ring	47027404	47027404	47027404	47027404	1
16	Case	3078706	3078706	3078706	3078706	1
18	Brkt/Case Cap Screws	14178701	14178701	14178701	14178701	8
19	Case Plugs	31005911	31005911	31005911	31005911	5
20	Suction Flange	3081700	3081700	3081700	3081700	1
21	Suct. Flg/Case O-ring	47027800	47027800	47027800	47027800	1
22	Suct. Flg/Case Cap Screws	14129324	14129324	14129324	14129324	8
23	Suct. Flg/Wear Ring (Brz)	8035701	8035701	8035701	8035701	1
24	1/2" Male Comp. Fitting	N/A	N/A	N/A	N/A	
25	1/2" Tubing	N/A	N/A	N/A	N/A	
27	Flange Plug	31005911	31005911	31005911	31005911	1
28	Bracket Plug	N/A	1Ph 31006117	31006117	31006117	1

GRISWOLD PUMP CO.

E, F, G Repair Parts

Page 2

October 1, 2003

Item #	Description	R4EM10	R4EM15	R4EM20	Qty.
PUMPS	1Ph ODP	93053597	-----	-----	B/M
	1Ph TEFC	-----	-----	-----	B/M
	3Ph ODP	93053502	93053510	93053528	B/M
	3Ph TEFC	93053536	93053544	93053551	B/M
PUMP ENDS	1Ph	-----	-----	-----	B/M
	3Ph	93053569	93053577	93053582	B/M
MOTORS	1Ph ODP	-----	-----	-----	1
	1Ph TEFC	-----	-----	-----	1
	3Ph ODP	90114216	90114224	90114349	1
	3Ph TEFC	90114661	90114687	90114745	1
2	Deflector	22020408	22020507	22020507	1
4	Sleeve O-rings	47002209	47012604	47012604	2
5	Sleeve (Brz)	8287211	8289712	8028615	1
6A	Seal Bracket	2119907	2128601	2104305	1
7	Mtr/Brkt Cap Screws	14178701	14178701	14133003	4
8	Brkt Wear Ring (Brz)	N/A	N/A	N/A	
9A	Mechanical Seal	10036903	10037000	10037000	1
10	Shaft Key	14412407	22169403	22056006	1
11	Impeller	5309919	5379615	5311311	1
12	Imp. Washer (SS)	N/A	14034607	14034607	1
13	Imp. Adapter (SS)	14412209	14412308	14412308	1
14	Imp. Bolt	ALLEN375 16X175U	ALLEN500 13X125U	ALLEN500 13X125U	1
15	Brkt/Case O-ring	47027404	47027404	47027404	1
16	Case	3079506	3079506	3079506	1
18	Brkt/Case Cap Screws	14178701	14178701	14178701	8
19	Case Plugs	31005911	31005911	31005911	5
20	Suction Flange	3082005	3082005	3082005	1
21	Suct.Flг/Case O-ring	47027800	47027800	47027800	1
22	Suct.Flг/Case Cap Screws	14178701	14178701	14178701	8
23	Suct.Flг/ Wear Ring (Brz)	8032906	8032906	8032906	1
24	1/2" Male Comp. Fittings	N/A	N/A	N/A	1
25	1/2" Tubing	N/A	N/A	N/A	18"
27	Flange Plug	31005911	31005911	31005911	1
28	Bracket Plug	31006117	31006117	31006117	1

GRISWOLD PUMP CO.

E, F, G Repair Parts

Page 3

October 1, 2003

Item #	Description	R5EM15	R5EM20	R5EM25	R5EM30	Qty.
PUMPS	1Ph ODP	-----	-----	-----	-----	B/M
	1Ph TEFC	-----	-----	-----	-----	B/M
	3Ph ODP	93053615	93053620	93053627	93053635	B/M
	3Ph TEFC	93053616	93053621	93053668	93053676	B/M
PUMP ENDS	1Ph	-----	-----	-----	-----	B/M
	3Ph	93053614	93053619	93053684	93053692	B/M
MOTORS	1Ph ODP	-----	-----	-----	-----	1
	1Ph TEFC	-----	-----	-----	-----	1
	3Ph ODP	90114224	90114349	90114372	90114406	1
	3Ph TEFC	90114687	90114745	90114760	90114786	1
2	Deflector	22020507	22020507	22020507	22020507	1
4	Sleeve O-rings	47012604	47012604	47012604	47012604	2
5	Sleeve (Brz)	8289712	8028615	8028615	8028615	1
6A	Seal Bracket	2128601	2104305	2063907	2063907	1
7	Mtr/Brkt Cap Screws	14178701	14178701	14135008	14135008	4
8	Brkt Wear Ring (Brz)	8028706	8028706	8028706	8028706	1
9A	Mechanical Seal	10037000	10037000	10037000	10037000	1
10	Shaft Key	22169403	22056006	22056006	22056006	1
11	Impeller (Enam Cl)	5311915	5312111	5032602	5032701	1
12	Impeller Washer (SS)	14034607	14034607	14034607	14034607	1
13	Imp. Adapter (SS)	14417604	14417604	14417604	14417604	1
14	Imp. Bolt	ALLEN500 13X125U	ALLEN500 13X125U	ALLEN500 13X125U	ALLEN500 13X125U	1
15	Brkt/Case O-ring	47027404	47027404	47027909	47027909	1
16	Case	3079309	3079309	3079209	3079209	1
18	Brkt/Case Cap Screws	14133003	14133003	14133003	14133003	8
19	Case Plugs	31005911	31005911	31005911	31005911	5
20	Suction Flange	3014602	3014602	3014602	3014602	1
21	Suct.Flг/Case O-ring	47027909	47027909	47027909	47027909	1
22	Suct.Flг/Case Cap Screws	14133003	14133003	14133003	14133003	8
23	Suct.Flг/ Wear Ring (Brz)	8028706	8028706	8028706	8028706	1
24	1/2" Male Comp. Fittings	31051709	31051709	31051709	31051709	2
25	1/2" Tubing	31092505	31092505	31092505	31092505	18"
27	Flange Plugs	31006117	31006117	31006117	31006117	2
		31005911	31005911	31005911	31005911	1
28	Bracket Plug	31006117	31006117	31006117	31006117	1

Item #	Description	R5EM40	R5EM50	Qty.
PUMPS	1Ph ODP	-----	-----	B/M
	1Ph TEFC	-----	-----	B/M
	3Ph ODP	93053643	93053650	B/M
	3Ph TEFC	93053644	93053651	B/M
PUMP ENDS	1Ph	-----	-----	B/M
	3Ph	93053700	93053718	B/M
MOTORS	1Ph ODP	-----	-----	1
	1Ph TEFC	-----	-----	1
	3Ph ODP	90118994	90114794	1
	3Ph TEFC	90118995	90114795	1
2	Deflector	22020507	22020507	1
4	Sleeve O-rings	47012604	47012604	2
5	Sleeve (Brz)	8028615	8028615	1
6A	Seal Bracket	2063907	2063907	1
7	Mtr/Brkt Cap Screws	14135008	14135008	4
8	Brkt Wear Ring (Brz)	8028706	8028706	1
9A	Mechanical Seal	10037000	10037000	1
10	Shaft Key	22056006	22056006	1
11	Impeller (Enam CI)	5032800	5079405	1
12	Impeller Washer (SS)	14034607	14034607	1
13	Imp. Adapter (SS)	14417604	14417604	1
14	Imp. Bolt	ALLEN500 13X125U	ALLEN500 13X125U	1
15	Brkt/Case O-ring	47027909	47027909	1
16	Case	3079209	3079209	1
18	Brkt/Case Cap Screws	14133003	14133003	8
19	Case Plugs	31005911	31005911	5
20	Suction Flange	3014602	3014602	1
21	Suct.Flg/Case O-ring	47027909	47027909	1
22	Suct.Flg/Case Cap Screws	14133003	14133003	8
23	Suct.Flg/Wear Ring (Brz)	8028706	8028706	1
24	1/2" Male Comp. Fittings	31051709	31051709	2
25	1/2" Tubing	31092505	31092505	18"
27	Flange Plugs	31006117	31006117	2
		31005911	31005911	1
28	Bracket Plug	31006117	31006117	1

Item #	Description	R6EM30	R6EM40	R6EM50	Qty.
PUMPS	1Ph ODP	-----	-----	-----	B/M
	1Ph TEFC	-----	-----	-----	B/M
	3Ph ODP	93053825	93053833	93053841	B/M
	3Ph TEFC	93053882	93053834	93053842	B/M
PUMP ENDS	1Ph	-----	-----	-----	B/M
	3Ph	93053890	93053908	93053916	B/M
MOTORS	1Ph ODP	-----	-----	-----	1
	1Ph TEFC	-----	-----	-----	1
	3Ph ODP	90114406	90108994	90114794	1
	3Ph TEFC	90114786	90118995	90114795	1
2	Deflector	22020507	22020507	22020507	1
4	Sleeve O-rings	47012604	47012604	47012604	2
5	Sleeve (Brz)	8028615	8028615	8028615	1
6A	Seal Bracket	2084705	2084705	2084705	1
7	Mtr/Brkt Cap Screws	14135008	14135008	14135008	4
8	Brkt Wear Ring (Brz)	8071102	8071102	8071102	1
9A	Mechanical Seal	10037000	10037000	10037000	1
10	Shaft Key	22056006	22056006	22056006	1
11	Impeller	5208517	5208616	5208913	1
12	Imp. Washer (SS)	14034607	14034607	14034607	1
13	Imp. Adapter (SS)	14417604	14417604	14417604	1
14	Imp. Bolt	ALLEN500 13X125U	ALLEN500 13X125U	ALLEN500 13X125U	1
15	Brkt/Case O-ring	47027909	47027909	47027909	1
16	Case	3043502	3043502	3043502	1
18	Brkt/Case Cap Screws	14133003	14133003	14133003	8
19	Case Plugs	31005911	31005911	31005911	5
20	Suction Flange	3065406	3065406	3065406	1
21	Suct.Flq/Case O-ring	47028105	47028105	47028105	1
22	Suct.Flq/Case Cap Screws	14133003	14133003	14133003	8
23	Suct.Flq/Wear Ring (Brz)	8071102	8071102	8071102	1
24	1/2" Male Comp. Fittings	31051709	31051709	31051709	2
25	1/2" Tubing	31092505	31092505	31092505	18"
27	Flange Plug	31006117	31006117	31006117	1
		31005911	31005911	31005911	1
28	Bracket Plug	31006117	31006117	31006117	1
		31005911	31005911	31005911	1

Item #	Description	R6EM60	R6EM75	R6EM100	Qty.
PUMPS	1Ph ODP	-----	-----	-----	B/M
	1Ph TEFC	-----	-----	-----	B/M
	3Ph ODP	93053858	93053866	93053874	B/M
	3Ph TEFC	93053859	93053867	93053875	B/M
PUMP ENDS	1Ph	-----	-----	-----	B/M
	3Ph	93053924	93053932	93053940	B/M
MOTORS	1Ph ODP	-----	-----	-----	1
	1Ph TEFC	-----	-----	-----	1
	3Ph ODP	90114802	90114828	90113184	1
	3Ph TEFC	90114800	90114829	90113185	1
2	Deflector	22032205	22032205	22032205	1
4	Sleeve O-rings	47013206	47013206	47013206	2
5	Sleeve (Brz)	8259210	8259210	8259210	1
6A	Seal Bracket	2111102	2111102	2111102	1
7	Mtr/Brkt Cap Screws	14135008	14135008	14135008	4
8	Brkt Wear Ring (Brz)	8071102	8071102	8071102	1
9A	Mechanical Seal	10036507	10036507	10036507	1
10	Shaft Key	14060800	14060800	14060800	1
11	Impeller	5379318	5379417	5379516	1
12	Imp. Washer (SS)	14040307	14040307	14040307	1
13	Imp. Adapter (SS)	SX10253	SX10253	SX10253	1
14	Imp. Bolt	ALLEN875 9X225U	ALLEN875 9X225U	ALLEN875 9X225U	1
15	Brkt/Case O-ring	47027909	47027909	47027909	1
16	Case	3043502	3043502	3070901	1
18	Brkt/Case Cap Screws	14133003	14133003	14133003	8
19	Case Plugs	31005911	31005911	31005911	5
20	Suction Flange	3065406	3065406	3081809	1
21	Suct.Flг/Case O-ring	47028105	47028105	47028105	1
22	Suct.Flг/Case Cap Screws	14133003	14133003	14133003	8
23	Suct.Flг/Wear Ring (Brz)	8071102	8071102	8071102	1
24	1/2" Male Comp. Fittings	31051709	31051709	31051709	2
25	1/2" Tubing	31092505	31092505	31092505	18"
27	Flange Plug	31006117	31006117	31006117	1
		31005911	31005911	31005911	1
28	Bracket Plug	31006117	31006117	31006117	1
		31005911	31005911	31005911	1

GRISWOLD PUMP CO.

Item #	Description	R3FM2	R3FM3	R3FM5	R3FM7.5	Qty.
PUMPS	1Ph ODP	93078400	93078418	93078426	-----	B/M
	1Ph TEFC	93078401	93078419	-----	-----	B/M
	3Ph ODP	-----	93078434	93078442	-----	B/M
	3Ph TEFC	-----	-----	-----	93078468	B/M
PUMP ENDS	1Ph	93078475	93078483	93078509	-----	B/M
	3Ph	-----	93078483	93078491	93078492	B/M
MOTORS	1Ph ODP	90114133	90114141	90114158	-----	1
	1Ph TEFC	90114134	90114142	-----	-----	1
	3Ph ODP	-----	90114182	90114190	-----	1
	3Ph TEFC	-----	-----	-----	90114646	1
2	Deflector	22020408	22020408	22020408	22020408	1
4	Sleeve O-rings	47002209	47002209	47002209	47002209	2
5	Sleeve	8287211	8287211	8287211	8287211	1
6A	Seal Bracket	2159408	2159408	1Ph 2119907	1Ph 2119907	1
				3Ph 2159408	3Ph 2159408	1
7	Mtr/Brkt Cap Screws	14129225SS	14129225SS	1Ph 14129225SS	1Ph 14129225SS	4
				3Ph 14178701	3Ph 14178701	4
8	Brkt Wear Ring (Brz)	N/A	N/A	N/A	N/A	1
9A	Mechanical Seal	10036903	10036903	10036903	10036903	1
10	Imp. Key	14412407	14412407	14412407	14412407	1
11	Impeller	5127519	5124011	5124110	5124110	1
12	Imp. Washer (SS)	N/A	N/A	N/A	N/A	
13	Imp. Adapter (SS)	14412209	14412209	14412209	14412209	1
14	Imp. Bolt	ALLEN75	ALLEN75	ALLEN75	ALLEN75	
		16X175U	16X175U	16X175U	16X175U	1
15	Brkt/Case O-ring	47027404	47027404	47027404	47027404	1
16	Case	3078508	3078508	3078508	3078508	1
17	Brkt/Case Cap Screws	14178701	14178701	14178701	14178701	8
		31006117	31006117	31006117	31006117	1
18	Case Plugs	31005911	31005911	31005911	31005911	5
		8036105	8036105	8036105	8036105	1
19	Case Wear Ring (Brz)	8036105	8036105	8036105	8036105	1
20	Bracket Plug	N/A	N/A	1Ph 31006117	1Ph 31006117	1
22	1/2" Tubing	N/A	N/A	N/A	N/A	
23	1/2" Male Comp. Fitting	N/A	N/A	N/A	N/A	

Item #	Description	R4FM2	R4FM3	R4FM5	Qty.
PUMPS	1Ph ODP	93078517	93078523	93078533	B/M
	1Ph TEFC	93078518	93078524	93178534	B/M
	3Ph ODP	-----	93078541	93078554	B/M
	3Ph TEFC	-----	93078542	93078558	B/M
PUMP ENDS	1Ph	93078582	93078590	93078616	B/M
	3Ph	-----	93078590	93078608	B/M
MOTORS	1Ph ODP	90114133	90114141	90114158	1
	1Ph TEFC	90114134	90114142	90114159	1
	3Ph ODP	-----	90114182	90114190	1
	3Ph TEFC	-----	90114604	90114620	1
2	Deflector	22020408	22020408	22020408	1
4	Sleeve O-rings	47002209	47002209	47002209	2
5	Sleeve	8287211	8287211	8287211	1
6A	Seal Bracket	2159408	2159408	1PH 2119907	1
				3PH 2159408	1
7	Mtr/Brkt Cap Screws	14129225SS	14129225SS	1PH 14178701	4
				3PH 14129225SS	4
8	Brkt Wear Ring (Brz)	N/A	N/A	N/A	1
9A	Mechanical Seal	10036903	10036903	10036903	1
10	Imp. Key	14412407	14412407	14412407	1
11	Impeller	5129010	5129119	5129218	1
12	Imp. Washer (SS)	N/A	N/A	N/A	
13	Imp. Adapter (SS)	14412209	14412209	14412209	1
14	Imp. Bolt	ALLEN375	ALLEN375	ALLEN375	1
		16X175U	16X175U	16X175U	
15	Brkt/Case O-ring	47027404	47027404	47027404	1
16	Case	3078607	3078607	3078607	1
17	Brkt/Case Cap Screws	14178701	14178701	14178701	8
18	Case Plugs	31006117	31006117	31006117	1
		31005911	31005911	31005911	5
19	Case Wear Ring (Brz)	8039802	8039802	8039802	1
20	Bracket Plug	N/A	N/A	1Ph 31006117	1
22	1/2" Tubing	N/A	N/A	N/A	
23	1/2" Male Comp. Fitting	N/A	N/A	N/A	

GRISWOLD PUMP CO.

E, F, G Repair Parts

Page 9

October 1, 2003

Item #	Description	R6FM10	R6FM15	R6FM20	R6FM25	Qty.
PUMPS	1Ph ODP	93078620	-----	-----	-----	B/M
	1Ph TEFC	-----	-----	-----	-----	B/M
	3Ph ODP	93078624	93078632	93078640	93078657	B/M
	3Ph TEFC	93078665	93078673	93078681	93078699	B/M
PUMP ENDS	1Ph	93078705	-----	-----	-----	B/M
	3Ph	93078707	93078715	93078723	93078731	B/M
MOTORS	1Ph ODP	90115105	-----	-----	-----	1
	1Ph TEFC	-----	-----	-----	-----	1
	3Ph ODP	90115103	90115153	90114349	90114372	1
	3Ph TEFC	90115104	90115154	90114745	90114760	1
2	Deflector	22020507	22020507	22020507	22020507	1
4	Sleeve O-rings	47012604	47012604	47012604	47012604	2
5	Sleeve	8028615	8028615	8028615	8028615	1
6A	Seal Bracket	2104305	2104305	2104305	2063709	1
7	Mtr/Brkt Cap Screws	14178701	14178701	14133003	14135008	4
8	Brkt Wear Ring (Brz)	N/A	N/A	N/A	N/A	
9A	Mechanical Seal	10037000	10037000	10037000	10037000	1
10	Imp. Key	22056006	22056006	22056006	22056006	1
11	Impeller	5130110	5381017	5096813	5096912	1
12	Imp. Washer (SS)	14034607	14034607	14034607	14034607	1
13	Imp. Adapter (SS)	14417604	14417604	14417604	14417604	1
14	Imp. Bolt	ALLEN500 13X225U	ALLEN500 13X225U	ALLEN500 13X225U	ALLEN500 13X225U	1
15	Brkt/Case O-ring	47027404	47027404	47027404	47027404	1
16	Case	3079407	3079407	3079407	3079407	1
17	Brkt/Case Cap Screws	14178701	14178701	14178701	14178701	8
18	Case Plugs	31005911	31005911	31005911	31005911	5
19	Case Wear Ring (Brz)	8042707	8042707	8042707	8042707	1
20	Bracket Plug	31006117	31006117	31006117	31006117	1
		31005911	31005911	31005911	31005911	1
22	1/2" Tubing	N/A	N/A	N/A	N/A	
23	1/2" Male Comp. Fitting	N/A	N/A	N/A	N/A	

Item #	Description	R2FH2	R4FH3	R4FH5	Qty.
PUMPS	1Ph ODP	93077675	93077691	93077709	B/M
	1Ph TEFC	93077678	93077692	-----	B/M
	3Ph ODP	93077679	93077725	93077733	B/M
	3Ph TEFC	-----	93077766	93077774	B/M
PUMP ENDS	1Ph	93077675	93077808	93077824	B/M
	3Ph	93077674	93077808	93077816	B/M
MOTORS 1	1Ph ODP	90114133	90114141	90114158	1
	1Ph TEFC	90114134	90114142	-----	1
	3Ph ODP	90114136	90114182	90114190	1
	3Ph TEFC	-----	90114604	90114620	1
2	Deflector	22020408	22020408	22020408	1
4	Sleeve O-rings	1Ph 47002209	1Ph 47002209	1Ph 47002209	2
		* 3Ph 47002209	3Ph 47002209	3Ph 47002209	2
5	Sleeve	1Ph 8287211	8287211	8287211	1
		3Ph 8287212			1
6A	Seal Bracket	2159200	2159408	1Ph 2119907	1
				3Ph 2159408	1
7	Mtr/Brkt Cap Screws	14129225SS	14129225SS	1Ph 14178701	4
				3Ph 1412922SS	4
8	Brkt Wear Ring (Brz)	N/A	N/A	N/A	
9A	Mechanical Seal	10036903	10036903	10036903	1
10	Imp. Key	14412407	14412407	14412407	1
11	Impeller	5123112	5378617	5378716	1
12	Imp. Washer (SS)	14417802	N/A	N/A	1
13	Imp. Adapter (SS)	14412209	14412209	14412209	1
14	Imp. Bolt	ALLEN375	ALLEN375	ALLEN375	1
		16X125U	16X200U	16X200U	
15	Brkt/Case O-ring	47017108	47027404	47027404	1
16	Case	3078409	3078607	3078607	1
17	Brkt/Case Cap Screws	14129225SS	14178701	14178701	8
18	Case Plugs	31005911	31006117	31006117	1
			31005911	31005911	5
19	Case Wear Ring (Brz)	8038408	8039802	8039802	1
20	Bracket Plug	N/A	N/A	1Ph 31006117	1
22	1/2" Tubing	N/A	N/A	N/A	
23	1/2" Male Comp. Fitting	N/A	N/A	N/A	

* R2FH2 3Ph only requires (1) Sleeve O-Ring

Item #	Description	R4FH7.5	R4FH10	R4FH15	Qty.
PUMPS	1Ph ODP	93077717	93077720	-----	B/M
	1Ph TEFC	93077718	93077721	-----	B/M
	3Ph ODP	93077741	93077758	-----	B/M
	3Ph TEFC	93077782	93077790	93077791	B/M
PUMP ENDS	1Ph	93077832	93077840	-----	B/M
	3Ph	93077832	93077840	93077834	B/M
MOTORS 1	1Ph ODP	90114166	90114176	-----	1
	1Ph TEFC	90114168	90114178	-----	1
	3Ph ODP	90114208	90114216	-----	1
	3Ph TEFC	90114646	90114661	90114687	1
2	Deflector	22020408	22020408	22020507	1
4	Sleeve O-rings	47002209	47002209	47012604	2
5	Sleeve	8287211	8287211	8289712	1
6A	Seal Bracket	2119907	2119907	2128601	1
7	Mtr/Brkt Cap Screws	14178701	14178701	14135008	4
8	Brkt Wear Ring (Brz)	N/A	N/A	N/A	
9A	Mechanical Seal	10036903	10036903	10037000	1
10	Imp. Key	14412407	14412407	22056006	1
11	Impeller	5378815	5378914	5378912	1
12	Imp. Washer (SS)	N/A	N/A	14034607	1
13	Imp. Adapter (SS)	14412209	14412209	14417604	1
14	Imp. Bolt	ALLEN375 16X200U	ALLEN375 16X200U	ALLEN500 13X125U	1
15	Brkt/Case O-ring	47027404	47027404	47027404	1
16	Case	3078607	3078607	3078607	1
17	Brkt/Case Cap Screws	14178701	14178701	14178701	8
18	Case Plugs	31005911	31005911	3105911	5
19	Case Wear Ring (Brz)	8039802	8039802	8039802	1
20	Bracket Plugs	31006117	31006117	31006117	1
		31005911	31005911	31005911	5
22	1/2" Tubing	N/A	N/A	N/A	
23	1/2" Male Comp. Fitting	N/A	N/A	N/A	

GRISWOLD PUMP CO.

E, F, G Repair Parts

Page 12

October 11, 2003

Item #	Description	R6FL5	*R6FL7.5	*R6FL10	R6FL15	R6FL20	Qty.
PUMPS	1Ph ODP	93078194	93078751	93078760	-----	-----	B/M
	1Ph TEFC	93078195	93078203	93078761	-----	-----	B/M
	3Ph ODP	93078210	93078228	93073103	93073153	93078251	B/M
	3Ph TEFC	93078269	93073753	93078293	93078293	93078301	B/M
PUMP ENDS	1Ph	93078327	93078335	93078342	-----	-----	B/M
	3Ph	93078319	93078302	93078343	93078350	93078368	B/M
MOTORS	1Ph ODP	90114158	90115751	90115105	-----	-----	1
	1Ph TEFC	90114159	90114168	90115106	-----	-----	1
	3Ph ODP	90114190	90115753	90115103	90115153	90114349	1
	3Ph TEFC	90114620	90114646	90115154	90115154	90114745	1
1							
2	Deflector	22020408	22020507	22020507	22020507	22020507	1
4	Sleeve O-rings	47002209	47012604	47012604	47012604	47012604	2
5	Sleeve	8287211	8028615	8028615	8028615	8028615	1
6A	Seal Bracket	1Ph 2119907 3Ph 2159408	2104305	2104305	2104305	2104305	1 1
7	Mtr/Brkt Cap Screws	1Ph 14178701 3Ph 14129225SS	14133003	14133003	14133003	14133003	4 4
8	Brkt Wear Ring (Brz)	N/A	N/A	N/A	N/A	N/A	
9A	Mechanical Seal	10036903	10037000	10037000	10037000	10037000	1
10	Imp. Key	14412407	22056006	22056006	22056006	22056006	1
11	Impeller	5100615	5301013	5208313	5100318	5100219	1
12	Imp. Washer (SS)	14020408	14034607	14034607	14034607	14034607	1
13	Imp. Adapter (SS)	14412209	14417604	14417604	14417604	14417604	1
14	Imp. Bolt	ALLEN375 16X275U	ALLEN500 13X225U	ALLEN500 13X225U	ALLEN500 13X225U	ALLEN500 13X225U	1
15	Brkt/Case O-ring	47027404	47027404	47027404	47027404	47027404	1
16	Case	3079407	3079407	3079407	3079407	3079407	1
17	Brkt/Case Cap Screws	14178701	14178701	14178701	14178701	14178701	8
18	Case Plugs	31005911	31005911	31005911	31005911	31005911	5
19	Case Wear Ring (Brz)	8042707	8042707	8042707	8042707	8042707	1
20	Bracket Plug	1Ph 31005911	31006117	31006117	31006117	31006117	1
22	1/2" Tubing	N/A	N/A	N/A	N/A	N/A	
23	1/2" Male Comp. Fitting	N/A	N/A	N/A	N/A	N/A	

* Due to change of construction, a serial number is needed for replacement parts.

Item #	Description	RL8FH15	RL8FH20	RL8FH25	Qty.
PUMPS	1Ph ODP	-----	-----	-----	B/M
	1Ph TEFC	-----	-----	-----	B/M
	3Ph ODP	93077857	93077865	93077873	B/M
	3Ph TEFC	93077859	93077866	93077874	B/M
PUMP ENDS	1Ph	-----	-----	-----	B/M
	3Ph	93077915	93077923	93077931	B/M
MOTORS	1Ph ODP	-----	-----	-----	1
	1Ph TEFC	-----	-----	-----	1
	3Ph ODP	90114323	90114356	90114380	1
	3Ph TEFC	90114324	90114357	90114266	1
1					
2	Deflector	22020507	22020507	22020507	1
4	Sleeve O-rings	47012604	47012604	47012604	2
5	Sleeve	8028615	8028615	8028615	1
6A	Seal Bracket	2049609	2049609	2049609	1
7	Mtr/Brkt Cap Screws	14135008	14135008	14135008	4
8	Brkt Wear Ring (Brz)	N/A	N/A	N/A	
9A	Mechanical Seal	10037000	10037000	10037000	1
10	Imp. Key	22056006	22056006	22056006	1
11	Impeller	5049317	5039417	5081211	1
12	Imp. Washer (SS)	14034607	14034607	14034607	1
13	Imp. Adapter (SS)	14417604	14417604	14417604	1
14	Imp. Bolt	ALLEN500 13X150U	ALLEN500 13X150U	ALLEN500 13X150U	1
15	Brkt/Case O-ring	47027909	47027909	47027909	1
16	Case	3078300	3078300	3078300	1
17	Brkt/Case Cap Screws	14133003	14133003	14133003	12
18	Case Plugs	31005911	31005911	31005911	5
19	Case Wear Ring (Brz)	8037509	8037509	8037509	1
20	Bracket Plug	31006117	31006117	31006117	1
		31005911	31005911	31005911	1
22	1/2" Tubing	N/A	N/A	N/A	
23	1/2" Male Comp. Fitting	N/A	N/A	N/A	

GRISWOLD PUMP CO.

E, F, G Repair Parts

Page 14

October 1, 2003

Item #	Description	R8FH40	R8FH50	R8FH60	R8FH75	Qty.
PUMPS	1Ph ODP	-----	-----	-----	-----	B/M
	1Ph TEFC	-----	-----	-----	-----	B/M
	3Ph ODP	93078038	93078046	93078053	93078061	B/M
	3Ph TEFC	93078039	93078047	93078052	93078062	B/M
PUMP ENDS	1Ph	-----	-----	-----	-----	B/M
	3Ph	93078079	93078087	93078095	93078103	B/M
MOTORS	1Ph ODP	-----	-----	-----	-----	1
	1Ph TEFC	-----	-----	-----	-----	1
	3Ph ODP	90118994	90114794	90114802	90114828	1
	3Ph TEFC	90118995	90114795	90114800	90114829	1
1						
2	Deflector	22020507	22020507	22032205	22032205	1
4	Sleeve O-rings	47012604	47012604	47013206	47013206	2
5	Sleeve	8028615	8028615	8259210	8259210	1
6A	Seal Bracket	2049609	2049609	2109908	2109908	1
7	Mtr/Brkt Cap Screws	14135008	14135008	14135008	14135008	4
8	Brkt Wear Ring (Brz)	N/A	N/A	N/A	N/A	
9A	Mechanical Seal	10037000	10037000	10036507	10036507	1
10	Imp. Key	22056006	22056006	22056105	22056105	1
11	Impeller	5081310	5081419	5379110	5379219	1
12	Imp. Washer (SS)	14034607	14034607	14040307	14040307	1
13	Imp. Adapter (SS)	14417604	14417604	SX10253	SX10253	1
14	Imp. Bolt	ALLEN500 13X150U	ALLEN500 13X150U	ALLEN500 13X150U	ALLEN500 13X150U	1
15	Brkt/Case O-ring	47027909	47027909	47027909	47027909	1
16	Case	3078300	3078300	3078300	3078300	1
17	Brkt/Case Cap Screws	14133003	14133003	14133003	14133003	12
18	Case Plugs	31005911	31005911	31005911	31005911	5
19	Case Wear Ring (Brz)	8037509	8037509	8037509	8037509	1
20	Bracket plug	31006117	31006117	31006117	31006117	1
		31005911	31005911	31005911	31005911	1
22	1/2" Tubing	N/A	N/A	N/A	N/A	
23	1/2" Male Comp. Fitting	N/A	N/A	N/A	N/A	

Item #	Description	R2GH5	R2GH7.5	R2GH10	Qty.
PUMPS	1Ph ODP	93036127	93036135	93037463	B/M
	1Ph TEFC	93036128	93036136	93037464	B/M
	3Ph ODP	93036143	93036150	93036168	B/M
	3Ph TEFC	93036192	93036200	93036218	B/M
PUMP ENDS	1Ph	93036242	93036267	93036275	B/M
	3Ph	93036242	93036259	93036275	B/M
MOTORS	1Ph ODP	90111725	90111881	90113481	1
	1Ph TEFC	90111726	90111882	90113481	1
	3Ph ODP	90111733	90111758	90111899	1
	3Ph TEFC	90114612	90114638	90114653	1
2	Deflector	22020408	22020408	22020408	1
4	Sleeve O-rings	47002209	47002209	47002209	2
5	Sleeve	8287211	8287211	8287211	1
6A	Seal Bracket	2159200	1Ph 2156909	2156909	1
			3Ph 2159200		1
7	Mtr/Brkt Cap Screws	14129225SS	1Ph 14178701	14178701	4
			3Ph 14129225SS		4
8	Brkt Wear Ring (Brz)	N/A	N/A	N/A	
9A	Mechanical Seal	10036903	10036903	10036903	1
10	Imp. Key	14412407	14412407	14412407	1
11	Impeller	5123312	5123412	5123518	1
12	Imp. Washer (SS)	N/A	N/A	N/A	1
13	Imp. Adapter (SS)	14412209	14412209	14412209	1
14	Imp. Bolt	ALLEN375 16X125U	ALLEN375 16X125U	ALLEN375 16X125U	1
15	Brkt/Case O-ring	47017108	47017108	47017108	1
16	Case	3078409	3078409	3078409	1
17	Brkt/Case Cap Screws	14129225SS	14129225SS	14129225SS	8
18	Case Plugs	31005911	31005911	31005911	5
19	Case Wear Ring (Brz)	8038408	8038408	8038408	1
20	Bracket Plug	N/A	N/A	N/A	
22	1/2" Tubing	N/A	N/A	N/A	
23	1/2" Male Comp. Fitting	N/A	N/A	N/A	

Item #	Description	R2GH15	R2GH20	R4GH30	Qty.
PUMPS	1Ph ODP	-----	-----	-----	B/M
	1Ph TEFC	-----	-----	-----	B/M
	3Ph ODP	93036176	93036184	93036317	B/M
	3Ph TEFC	93036226	93036234	93036358	B/M
PUMP ENDS	1Ph	-----	-----	-----	B/M
	3Ph	93036283	93036309	93036374	B/M
MOTORS	1Ph ODP	-----	-----	-----	1
	1Ph TEFC	-----	-----	-----	1
	3Ph ODP	90111907	90118282	90114398	1
	3Ph TEFC	90114679	90114695	90114778	1
2	Deflector	22020408	22020507	22020507	1
4	Sleeve O-rings	47002209	47012604	47012604	2
5	Sleeve	8287211	8287310	8028615	1
6A	Seal Bracket	2156909	2137503	2063709	1
7	Mtr/Brkt Cap Screw	14178701	14389803	14135008	4
8	Brkt Wear Ring (Brz)	N/A	N/A	8036105	1
9A	Mechanical Seal	10036903	10037002	10037000	1
10	Imp. Key	14412407	14412506	22056006	1
11	Impeller	5123612	5191712	5122312	1
12	Imp. Washer (SS)	N/A	N/A	14034607	1
13	Imp. Adapter (SS)	14412209	14412308	14417604	1
14	Imp. Bolt	ALLEN500 13X150U	ALLEN500 13X150U	ALLEN500 13X150U	1
15	Brkt/Case O-ring	47017108	47017108	47027404	1
16	Case	3078409	3078409	3078607	1
17	Brkt/Case Cap Screws	14129225SS	14129225SS	14178701	8
18	Case Plugs	31005911	31005911	31006117	1
				31005911	5
19	Case Wear Ring (Brz)	8038408	8038408	8039802	1
20	Bracket Plug	N/A	N/A	31006117	1
				31005911	1
22	1/2" Tubing	N/A	N/A	31092505	18"
23	1/2" Male Comp. Fittings	N/A	N/A	31051709	2

GRISWOLD PUMP CO.

E, F, G Repair Parts

Page 17

October 1, 2003

Item #	Description	R4GH40	R4GH50	R4GH60	R4GH75	Qty.
PUMPS	1Ph ODP	-----	-----	-----	-----	B/M
	1Ph TEFC	-----	-----	-----	-----	B/M
	3Ph ODP	93036325	93036333	93036341	93037422	B/M
	3Ph TEFC	93036366	93036334	93036342	93037423	B/M
PUMP ENDS	1Ph	-----	-----	-----	-----	B/M
	3Ph	93036382	93036390	93036408	93037430	B/M
MOTORS	1Ph ODP	-----	-----	-----	-----	1
	1Ph TEFC	-----	-----	-----	-----	1
	3Ph ODP	90114414	90114422	90114430	90114810	1
	3Ph TEFC	90114273	90108367	90114431	90114811	1
2	Deflector	22020507	22020507	22020507	22032205	1
4	Sleeve O-rings	47012604	47012604	47012604	47013206	2
5	Sleeve	8028615	8028615	8028615	8259210	1
6A	Seal Bracket	2063709	2063709	2036709	2242404	1
7	Mtr/Brkt Cap Screws	14135008	14135008	14135008	14135008	4
8	Brkt Wear Ring (Brz)	8036105	8036105	8036105	8036105	1
9A	Mechanical Seal	10037000	10037000	10037000	10036507	1
10	Imp. Key	22056006	22056006	22056006	14060800	1
11	Impeller	5122411	5386113	5379011	5378518	1
12	Imp. Washer (SS)	14034607	14034607	14034607	14040307	1
13	Imp. Adapter (SS)	14417604	14417604	14417604	SX10252	1
14	Imp. Bolt	ALLEN500 13X150U	ALLEN500 13X150U	ALLEN500 13X150U	ALLEN500 13X150U	1
15	Brkt/Case O-ring	47027404	47027404	47027404	47027404	1
16	Case	3078607	3078607	3078607	3078607	1
17	Brkt/Case Cap Screws	14178701	14178701	14178701	14178701	8
18	Case Plugs	31006117	31006117	31006117	31006117	1
		31005911	31005911	31005911	31005911	5
19	Case Wear Ring (Brz)	8039802	8039802	8039802	8039802	1
20	Bracket Plug	31006117	31006117	31006117	31006117	1
		31005911	31005911	31005911	31005911	1
22	1/2" Tubing	31092505	31092505	31092505	31092505	18"
23	1/2" Male Comp. Fittings	31051709	31051709	31051709	31051709	2

Item #	Description	R3GL5	R3GL7.5	R3GL10	Qty.
PUMPS	1Ph ODP	93036515	93036523	93037471	B/M
	1Ph TEFC	93036516	93036524	93037472	B/M
	3Ph ODP	93036531	93036549	93036556	B/M
	3Ph TEFC	93036564	93036572	93036580	B/M
PUMP ENDS	1Ph	93036606	93036522	93036622	B/M
	3Ph	93036606	93036598	93036622	B/M
MOTORS	1Ph ODP	90111725	90111881	90113481	1
	1Ph TEFC	90111726	90111882	90113482	1
	3Ph ODP	90111733	90111758	90111899	1
	3Ph TEFC	90114612	90114638	90114653	1
2	Deflector	22020408	22020408	22020408	1
4	Sleeve O-rings	47002209	47002209	47002209	2
5	Sleeve	8287211	8287211	8287211	1
6A	Seal Bracket	2159408	1Ph 2119907	2119907	1
			3Ph 2159408		1
7	Mtr/Brkt Cap Screws	14129225SS	1Ph 14178701	14178701	4
			3Ph 14129225SS		4
8	Brkt Wear Ring (Brz)	N/A	N/A	N/A	
9A	Mechanical Seal	10036903	10036903	10036903	1
10	Imp. Key	14412407	14412407	14412407	1
11	Impeller	5307814	5308010	5308218	1
12	Imp. Washer (SS)	14020408	14020408	14020408	1
13	Imp. Adapter (SS)	14412209	14412209	14412209	1
14	Imp. Bolt	ALLEN375	ALLEN375	ALLEN375	1
		16X125U	16X125U	16X125U	
15	Brkt/Case O-ring	47027404	47027404	47027404	1
16	Case	3079001	3079001	3079001	1
17	Brkt/Case Cap Screws	14178701	14178701	14178701	8
18	Case Plugs	31005911	31005911	31005911	5
19	Case Wear Ring (Brz)	8038408	8038408	8038408	1
20	Bracket Plug	N/A	1Ph 31006117	31006117	1
22	1/2" Tubing	N/A	N/A	N/A	
23	1/2" Male Comp. Fitting	N/A	N/A	N/A	

GRISWOLD PUMP CO.

E, F, G Repair Parts

Page 19

October 1, 2003

Item #	Description	R2GM5	R2GM7.5	R2GM10	R2GM15	Qty.
PUMPS	1Ph ODP	93036630	93036648	93037489	-----	B/M
	1Ph TEFC	93036631	93036649	93037490	-----	B/M
	3Ph ODP	93036655	93036663	93036671	93036673	B/M
	3Ph TEFC	93036689	93036697	93036705	93036672	B/M
PUMP ENDS	1Ph	93036713	93036735	93036747	-----	B/M
	3Ph	93036713	93036721	93036747	93036749	B/M
MOTORS	1Ph ODP	90111725	90111881	90113481	-----	1
	1Ph TEFC	90111726	90111882	90113482	-----	1
	3Ph ODP	90111733	90111758	90111899	90111907	1
	3Ph TEFC	90114612	90114638	90114653	90114679	1
2	Deflector	22020408	22020408	22020408	22020408	1
4	Sleeve O-ring	47002209	47002209	47002209	47002209	2
5	Sleeve	8287211	8287211	8287211	8287211	1
6A	Seal Bracket	2159408	1Ph 2156909 3Ph 2159200	2156909	2156909	1 1
7	Mtr/Brkt Cap Screw	14129225SS	1Ph 14178701 3Ph 14129225SS	14178701	14178701	4 4
8	Brkt Wear Ring (Brz)	N/A	N/A	N/A	N/A	
9A	Mechanical Seal	10036903	10036903	10036903	10036903	1
10	Imp. Key	14412407	14412407	14412407	14412407	1
11	Impeller	5069513	5375316	5375415	5374715	1
12	Imp. Washer (SS)	14020408	14020408	14020408	14020408	1
13	Imp. Adapter (SS)	14412209	14412209	14412209	14412209	1
14	Imp. Bolt	ALLEN375 16X125U	ALLEN375 16X125U	ALLEN375 16X125U	ALLEN375 16X125U	1
15	Brkt/Case O-ring	47017108	47017108	47017108	47017108	1
16	Case	3079100	3079100	3079100	3079100	1
17	Brkt/Case Cap Screws	14129225SS	14129225SS	1419225SS	14129225SS	8
18	Case Plugs	31005911	31005911	31005911	31005911	5
19	Case Wear Ring (Brz)	8038408	8038408	8038408	8038408	1
20	Bracket Plug	N/A	N/A	N/A	N/A	
22	1/2" Tubing	N/A	N/A	N/A	N/A	
23	1/2" Male Comp. Fitting	N/A	N/A	N/A	N/A	

GRISWOLD PUMP CO.

Item #	Description	R3GM10	R3GM15	R3GM20	Qty.
PUMPS	1Ph ODP	93036750	-----	-----	B/M
	1Ph TEFC	-----	-----	-----	B/M
	3Ph ODP	93036754	93036762	93036770	B/M
	3Ph TEFC	93036812	93036820	93036838	B/M
PUMP ENDS	1Ph	93036880	-----	-----	B/M
	3Ph	93036879	93036887	93036890	B/M
MOTORS	1Ph ODP	90113481	-----	-----	1
	1Ph TEFC	-----	-----	-----	1
	3Ph ODP	90111899	90111907	90114331	1
	3Ph TEFC	90114653	90114679	90114737	1
1					
2	Deflector	22020408	22020408	22020507	1
4	Sleeve O-rings	47002209	47002209	47012604	2
5	Sleeve	8287211	8287211	8028615	1
6A	Seal Bracket	2119907	2119907	2104305	1
7	Mtr/Brkt Cap Screws	14178701	14178701	14133003	4
8	Brkt Wear Ring (Brz)	8036105	8036105	8036105	
9A	Mechanical Seal	10036903	10036903	10037000	1
10	Imp. Key	14412407	14412407	22056006	1
11	Impeller	5051016	5086012	5051214	1
12	Imp. Washer (SS)	14020408	14020408	14034607	1
13	Imp. Adapter (SS)	14412209	14412209	14417604	1
14	Imp. Bolt	ALLEN375 16X175U	ALLEN375 16X175U	ALLEN500 13X125U	1
15	Brkt/Case O-ring	47027404	47027404	47027404	1
16	Case	3078508	3078508	3078508	1
17	Brkt/Case Cap Screws	14178701	14178701	14178101	8
18	Case Plugs	31006117	31006117	31006117	1
		31005911	31005911	31005911	5
19	Case Wear Ring (Brz)	8036105	8036105	8036105	1
20	Bracket Plug	31006117	31006117	31006117	1
				31005911	1
22	1/2" Tubing	31092505	31092505	31092505	18"
23	1/2" Male Comp. Fittings	31051709	31051709	31051709	2

Item #	Description	R3GM25	R3GM30	R3GM40	Qty.
PUMPS	1Ph ODP	-----	-----	-----	B/M
	1Ph TEFC	-----	-----	-----	B/M
	3Ph ODP	93036788	93036796	93036804	B/M
	3Ph TEFC	93036846	93036843	93036861	B/M
PUMP ENDS	1Ph	-----	-----	-----	B/M
	3Ph	93036903	93036929	93036937	B/M
MOTORS	1Ph ODP	-----	-----	-----	1
	1Ph TEFC	-----	-----	-----	1
	3Ph ODP	90114364	90114398	90114414	1
	3Ph TEFC	90114752	90114778	90114273	1
2	Deflector	22020507	22020507	22020507	1
4	Sleeve O-rings	47012604	47012604	47012604	2
5	Sleeve	8028615	8028615	8028615	1
6A	Seal Bracket	2104305	2063709	2063709	1
7	Mtr/Brkt Cap Screws	14133003	14135008	14135008	4
8	Brkt Wear Ring (Brz)	8036105	8036105	8036105	
9A	Mechanical Seal	10037000	10037000	10037000	1
10	Imp. Key	22056006	22056006	22056006	1
11	Impeller	5051313	5051412	5051511	1
12	Imp. Washer (SS)	14034607	14034607	14034607	1
13	Imp. Adapter (SS)	14417604	14417604	14417604	1
14	Imp. Bolt	ALLEN500 13X125U	ALLEN500 13X125U	ALLEN500 13X125U	1
15	Brkt/Case O-ring	47027404	47027404	47027404	1
16	Case	3078508	3078508	3078508	1
17	Brkt/Case Cap Screws	14178701	14178701	14178701	8
18	Case Plugs	31006117	31006117	31006117	1
		31005911	31005911	31005911	5
19	Case Wear Ring (Brz)	8036105	8036105	8036105	1
20	Bracket Plug	31006117	31006117	31006117	1
		31005911	31005911	31005911	1
22	1/2" Tubing	31092505	31092505	31092505	18"
23	1/2" Male Comp. Fittings	31051709	31051709	31051709	2

Item #	Description	R4GM15	R4GM20	R4GM25	Qty.
PUMPS	1Ph ODP	-----	-----	-----	B/M
	1Ph TEFC	-----	-----	-----	B/M
	3Ph ODP	93037109	93037117	93037125	B/M
	3Ph TEFC	93037166	93037174	93037126	B/M
PUMP ENDS	1Ph	-----	-----	-----	B/M
	3Ph	93037232	93037240	93037257	B/M
MOTORS	1Ph ODP	-----	-----	-----	1
	1Ph TEFC	-----	-----	-----	1
	3Ph ODP	90111907	90114331	90114364	1
	3Ph TEFC	90114679	90114737	90114752	1
2	Deflector	22020408	22020507	22020507	1
4	Sleeve O-rings	47002209	47012604	47012604	2
5	Sleeve	8287211	8028615	8028615	1
6A	Seal Bracket	2119907	2104305	2104305	1
7	Mtr/Brkt Cap Screws	14178701	14133003	14133003	4
8	Brkt Wear Ring (Brz)	8036105	8036105	8036105	1
9A	Mechanical Seal	10036903	10037000	10037000	1
10	Imp. Key	14412407	22056006	22056006	1
11	Impeller	5119417	5119318	5119219	1
12	Imp. Washer (SS)	N/A	14034607	14034607	1
13	Imp. Adapter (SS)	14412209	14417604	14417604	1
14	Imp. Bolt	ALLEN375 16X175U	ALLEN500 13X125U	ALLEN500 13X125U	1
15	Brkt/Case O-ring	47027404	47027404	47027404	1
16	Case	3078607	3078607	3078607	1
17	Brkt/Case Cap Screws	14178701	14178701	14178701	8
18	Case Plugs	31006117	31006117	31006117	1
		31005911	31005911	31005911	5
19	Case Wear Ring (Brz)	8039802	8039802	8039802	1
20	Bracket Plug	31006117	31006117	31006117	1
		31005911	31005911	31005911	1
22	1/2" Tubing	31092505	31092505	31092505	18"
23	1/2" Male Comp. Fittings	31051709	31051709	31051709	2

Item #	Description	R4GM30	R4GM40	R4GM50	Qty.
PUMPS	1Ph ODP	-----	-----	-----	B/M
	1Ph TEFC	-----	-----	-----	B/M
	3Ph ODP	93037075	93037083	93037091	B/M
	3Ph TEFC	93037133	93037141	93037185	B/M
PUMP ENDS	1Ph	-----	-----	-----	B/M
	3Ph	93037182	93037208	93037216	B/M
MOTORS	1Ph ODP	-----	-----	-----	1
	1Ph TEFC	-----	-----	-----	1
	3Ph ODP	90114398	90114414	90114422	1
	3Ph TEFC	90114778	90114273	90108367	1
2	Deflector	22020507	22020507	22020507	1
4	Sleeve O-rings	47012604	47012604	47012604	2
5	Sleeve	8028615	8028615	8028615	1
6A	Seal Bracket	2063709	2063709	2063709	1
7	Mtr/Brkt Cap Screws	14135008	14135008	14135008	4
8	Brkt Wear Ring (Brz)	8036105	8036105	8036105	1
9A	Mechanical Seal	10037000	10037000	10037000	1
10	Imp. Key	22056006	22056006	22056006	1
11	Impeller	5119110	5119011	5118914	1
12	Imp. Washer (SS)	14034607	14034607	14034607	1
13	Imp. Adapter (SS)	14417604	14417604	14417604	1
14	Imp. Bolt	ALLEN500 13X125U	ALLEN500 13X125U	ALLEN500 13X125U	1
15	Brkt/Case O-ring	47027404	47027404	47027404	1
16	Case	3078607	3078607	3078607	1
17	Brkt/Case Cap Screws	14178701	14178701	14178701	8
18	Case Plugs	31006117	31006117	31006117	1
		31005911	31005911	31005911	5
19	Case Wear Ring (Brz)	8039802	8039802	8039802	1
20	Bracket Plug	31006117	31006117	31006117	1
		31005911	31005911	31005911	1
22	1/2" Tubing	31092505	31092505	31092505	18"
23	1/2" Male Comp. Fittings	31051709	31051709	31051709	2

Where Innovation Flows



PSG
22069 Van Buren Street
Grand Terrace, CA 92313-5607 USA
P: +1 (909) 512-1262 • F: +1 (909) 783-3440
griswoldpump.com

PSG reserves the right to modify the information and illustrations contained in this document without prior notice. This is a non-contractual document. 10-2017

Authorized PSG Partner: