

7SP

STAINLESS STEEL PUMP



AMERICAN STAINLESS PUMPS
Stainless Steel Pumps for the Commercial Marketplace

7SP STAINLESS PUMP

- Our exclusive design allows for use with easy to locate replacement parts. No more hard to find Metric and custom seals and fasteners
- The same Standard Type 16 mechanical seals we use in our SSP/C models
- Flow Rates to 63-gpm
- System pressures up to 120 psig
- Pump pressures up to 86 psig
- Impellers up to 7.1" in diameter
- 56J frame: 2 through 5 horsepower motors
- Service in both 50 and 60-Hz
- Stainless steel casing and impellers
- Multiple mechanical seal materials available to suit application
- 1.25" NPT suction nozzle and a 1.0" NPT discharge nozzle





AMERICAN STAINLESS PUMPS

Stainless Steel Pumps for the Commercial Marketplace

FSP and SSP and 7SP Catalog Number Nomenclature

Rev. Date
9/21/2018

C 1 56 25 B 1 T 1 X Sample code for a model SSPC, size 1x1.25 with a 5.75" diameter impeller, 0.250 Vane height (at 4.38" diameter), Carbon/Ceramic/Buna Type 6 mechanical seal, with a 1 HP, TEFC, 1/60/115-230V motor, and with a special construction code letter.

1st Symbol	Pump Model	F = FSP: 304 SS, 5 inch case, threaded connections
		S = SSP: Open Impeller, 304SS Pump, 6 inch case, threaded connections
		C = SSPC: Closed Impeller, 304SS Pump, 6 inch case, threaded connections
		D = 7SP: 304SS, 7 inch case, threaded connection

2nd Symbol	Size Code	1 = 1.0" x 1.25" NPT
	Discharge x Suction	2 = 1.5" x 2.0" NPT (SSP Only)
	Discharge x Suction	3 = 1.0" x 1.25" NPT (7SP Only)
	Discharge x Suction	4 = 1.5" 3A sanitary connections

3rd & 4th Symbol	Impeller Diameter	Digits indicate impeller diameter in inches, and eighths of an inch.
		Examples: 43 = 4 and 3/8 = 4.38", 56 = 5 and 6/8 = 5.75"

5th & 6th Symbol	Impeller Vane Height (at a reference ' diameter of 4.38")	Two digits indicate vane height at 4.38" diameter, as indicated on performance curve. Ex: 25 indicates an average vane height of approximately 0.250 inch at 4.38".
		(Note: if the impeller diameter is larger than 4.38", the vane height at the outside

7th Symbol	Mechanical Seal Type & Materials	Type 16		(Std.)	Type-16 o-ring mount	
		B = Car/Cer/Buna	Stock			
		E = Car/Cer/EPR	Stock			
		V = Car/Cer/Viton	Stock		L = Car/SiC/Buna	
		4 = Car/SiC/Viton	Stock		M = Car/SiC/EPR	Stock
		5 = Car/SiC/EPR	Stock		N = Car/SiC/Viton	
		6 = SiC/SiC/Buna	Stock		P = SiC/SiC/Buna	Stock
		7 = SiC/SiC/EPR	Stock		R = SiC/SiC/EPR	Stock
		8 = SiC/SiC/Viton	Stock		T = SiC/SiC/Viton	Stock
		X = Special				

Note: Standard case and impeller o-ring material will match seal elastomer as selected above.

8th Symbol	Motor HP	A = 1/3 HP	1 = 1 HP	3 = 3 HP
		B = 1/2 HP	E = 1.5 HP	5 = 5 HP
		C = 3/4 HP	2 = 2 HP	7 = 7.5HP (non-stock)

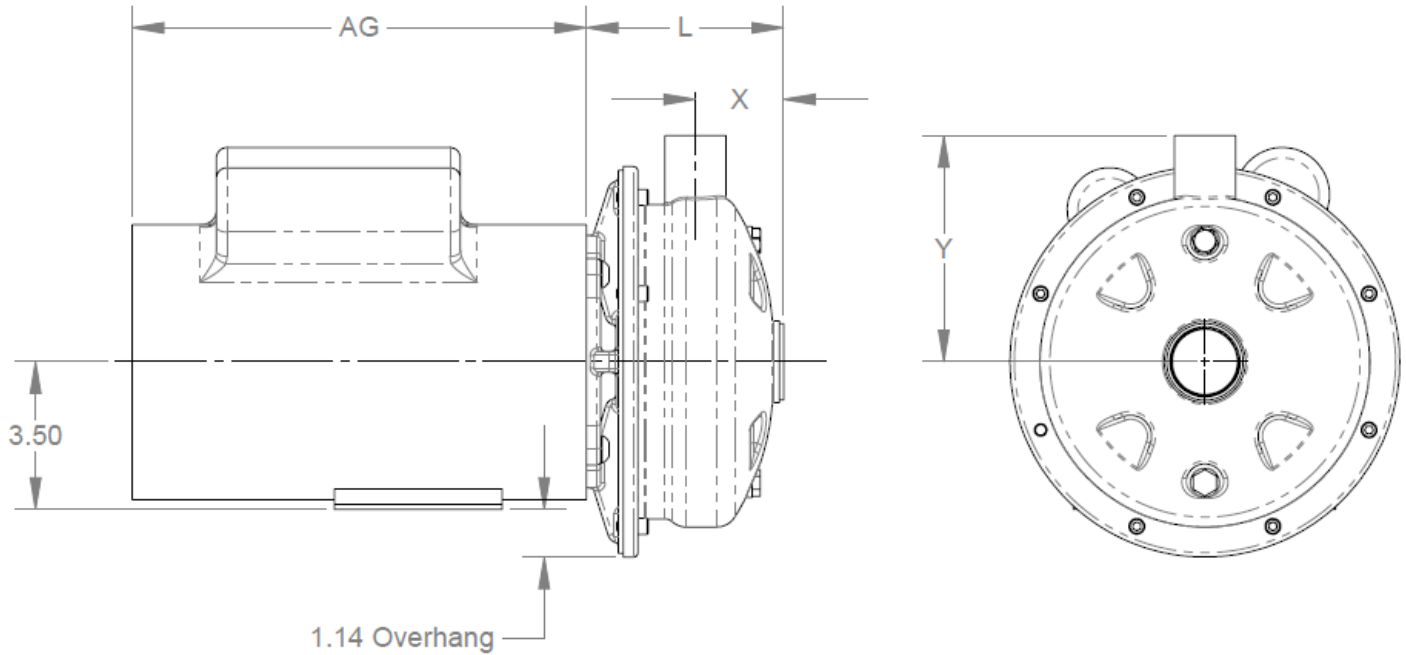
9th Symbol	Motor Enclosure	D = Dripproof	X = Explosion Proof	V = TENV
		T = TEFC	W = Washdown Duty	S = Stainless Steel Motor

10th Symbol	Motor Power Details	Power Rating	3500 RPM	1750 RPM	2900 RPM
		1/60/115-230V	1	A	
		1/60/230V	2	B	
		3/60/208V	8		
		3/60/230-460V	3	C	
		3/60/460V	4	D	
		3/60/575V	5	E	
		1/50 or 1/60 (dual)	V	G	V
		3/50 or 3/60 (dual)	S	U	S
		Special	X	X	X
		1/50/110-220V			W
		1/50/220V			Y
3/50/380V			Z		

11th Symbol & Up	Special Construction Codes:	
	Consult factory for special pricing. May indicate a restricted OEM code.	= Stainless Steel Base (no symbol)
		F = Footed Motor
		S = Motor Shaft is 300SS
		X = Special - Consult factory with serial number
		W = welded impeller (no braze)
	V = VFD capable	



7SP Dimensions With Footed Motor



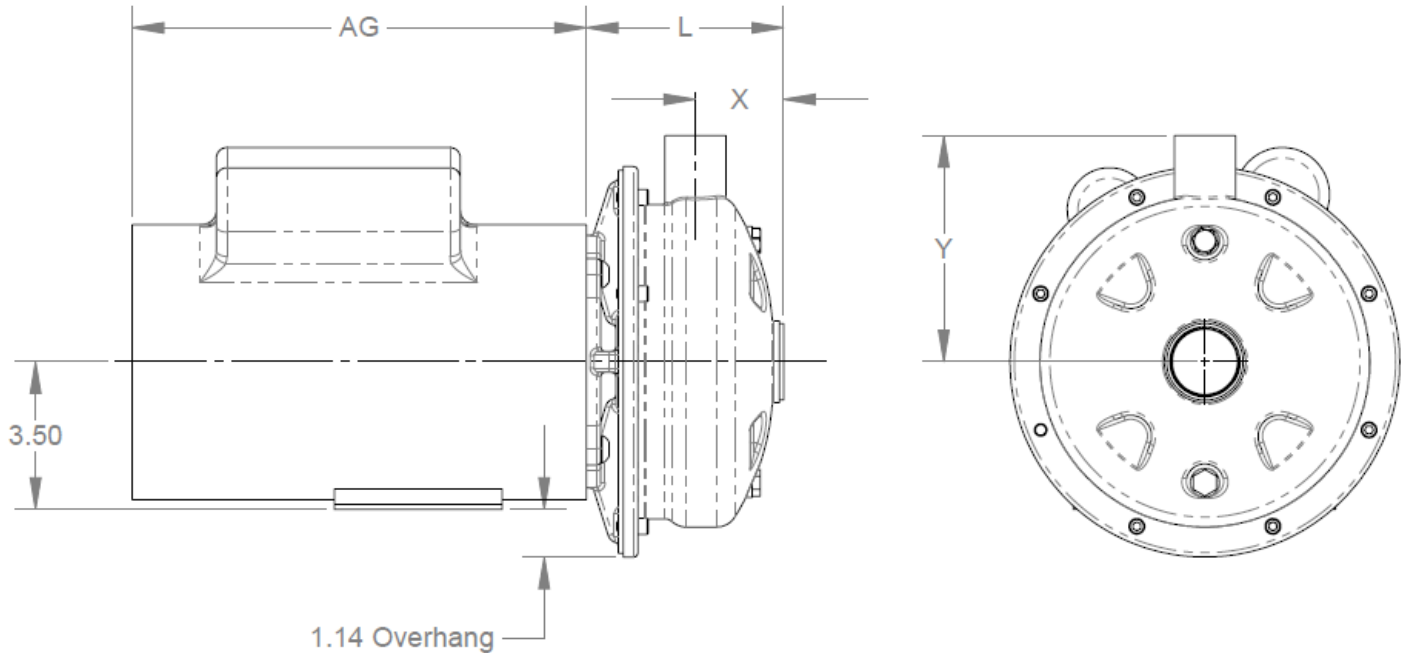
* Dimensions may vary by motor manufacturer or motor enclosure. Ideally, weights and dimensions listed are the largest for each motor horsepower size likely to be encountered. More detailed “Certified for Construction” drawings are available upon request.

Size	Suction	Discharge	L	X	Y	Motor HP	AG ODP 1Ø	AG ODP 3Ø	Ship Wgt. ODP 1Ø//3Ø	AG TEFC 1Ø	AG TEFC 3Ø	Ship Wgt. TEFC 1Ø//3Ø
7SP	1.25 NPT	1.0 NPT	4.7	2.1	5.4	2.0	10.3	9.5	46 // 37	10.8	14.4	48 // 50
						3.0	10.8	10.3	46 // 43	11.3	15.6	55 // 58
						5.0	12.1	11.4	64 // 57	NA	13.6	NA // 54

All dimensions in inches ± 1/16". Shipment weight includes packaging.



7SP Dimensions With 575V Footed Motor



* Dimensions may vary by motor manufacturer or motor enclosure. Ideally, weights and dimensions listed are the largest for each motor horsepower size likely to be encountered. More detailed “Certified for Construction” drawings are available upon request.

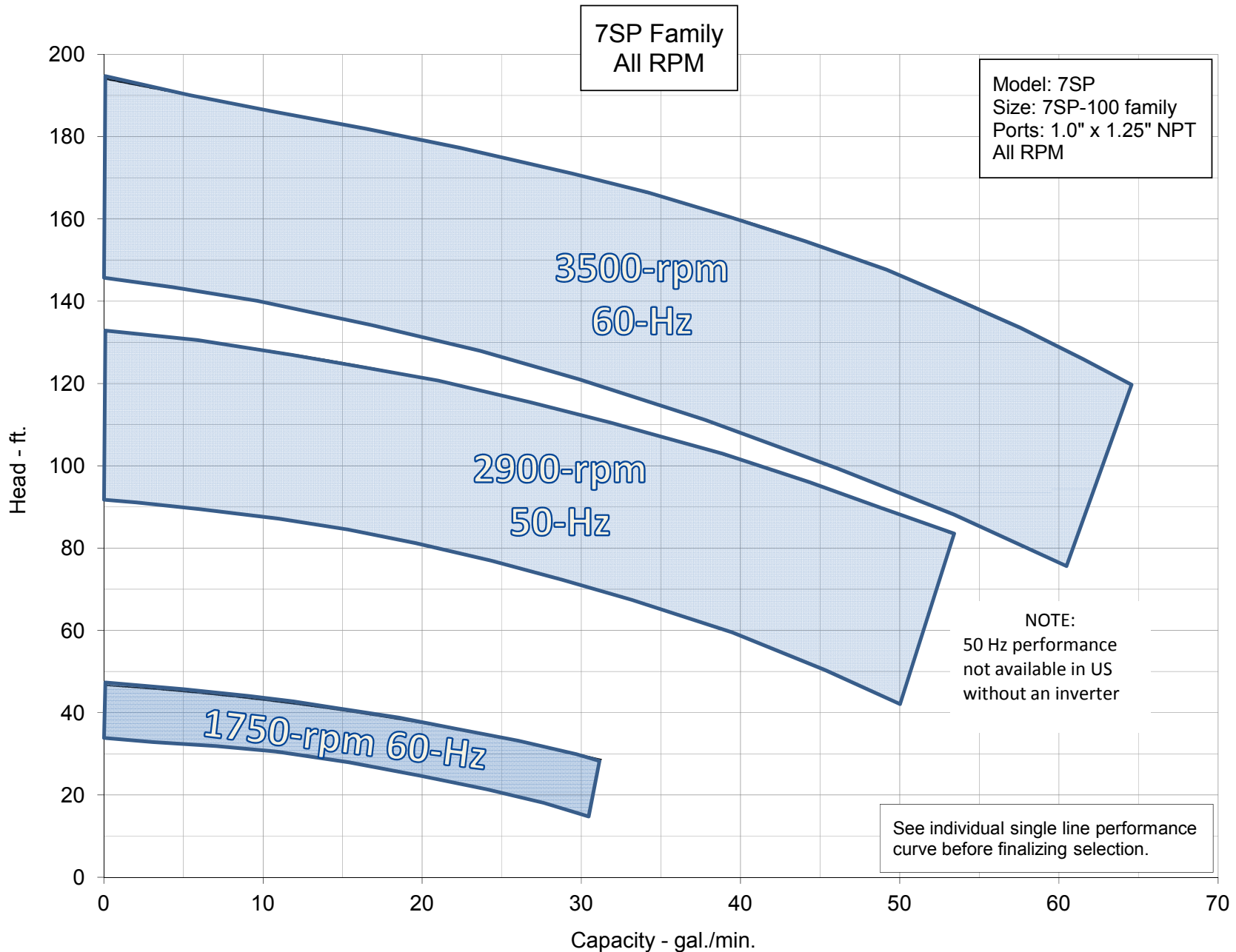
Size	Suction	Discharge	L	X	Y	Motor HP	AG ODP 3Ø	Ship Wgt. ODP 3Ø	AG TEFC 3Ø	Ship Wgt. TEFC 3Ø
7SP	1.25 NPT	1.0 NPT	4.7	2.1	5.4	2.0	9.5	40	11.8	53
						3.0	10.3	46	13.1	55
						5.0	11.4	91	contact ASP	

All dimensions in inches ± 1/16". Shipment weight includes packaging.



AMERICAN STAINLESS PUMPS

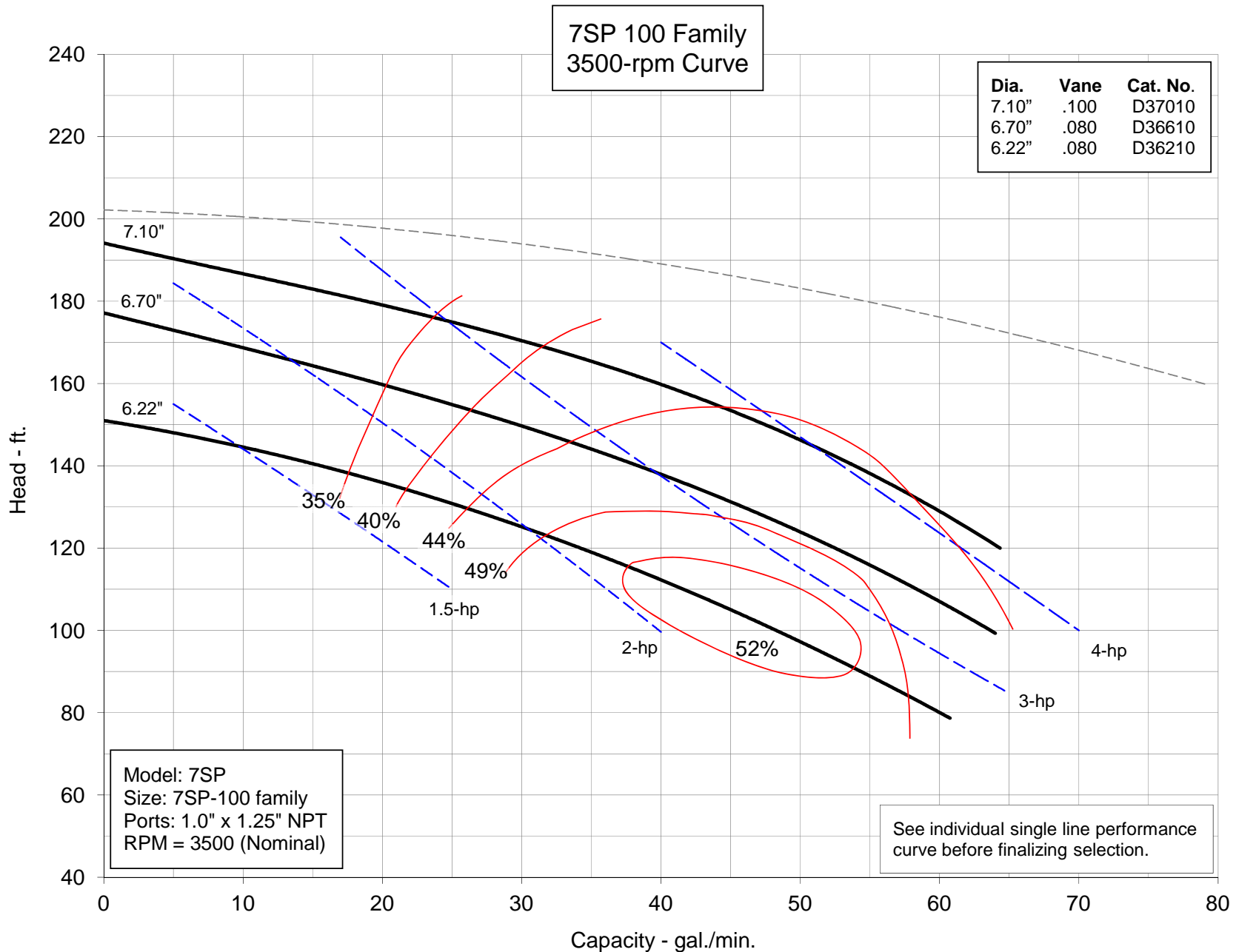
Stainless Steel Pumps for the Commercial Marketplace





AMERICAN STAINLESS PUMPS

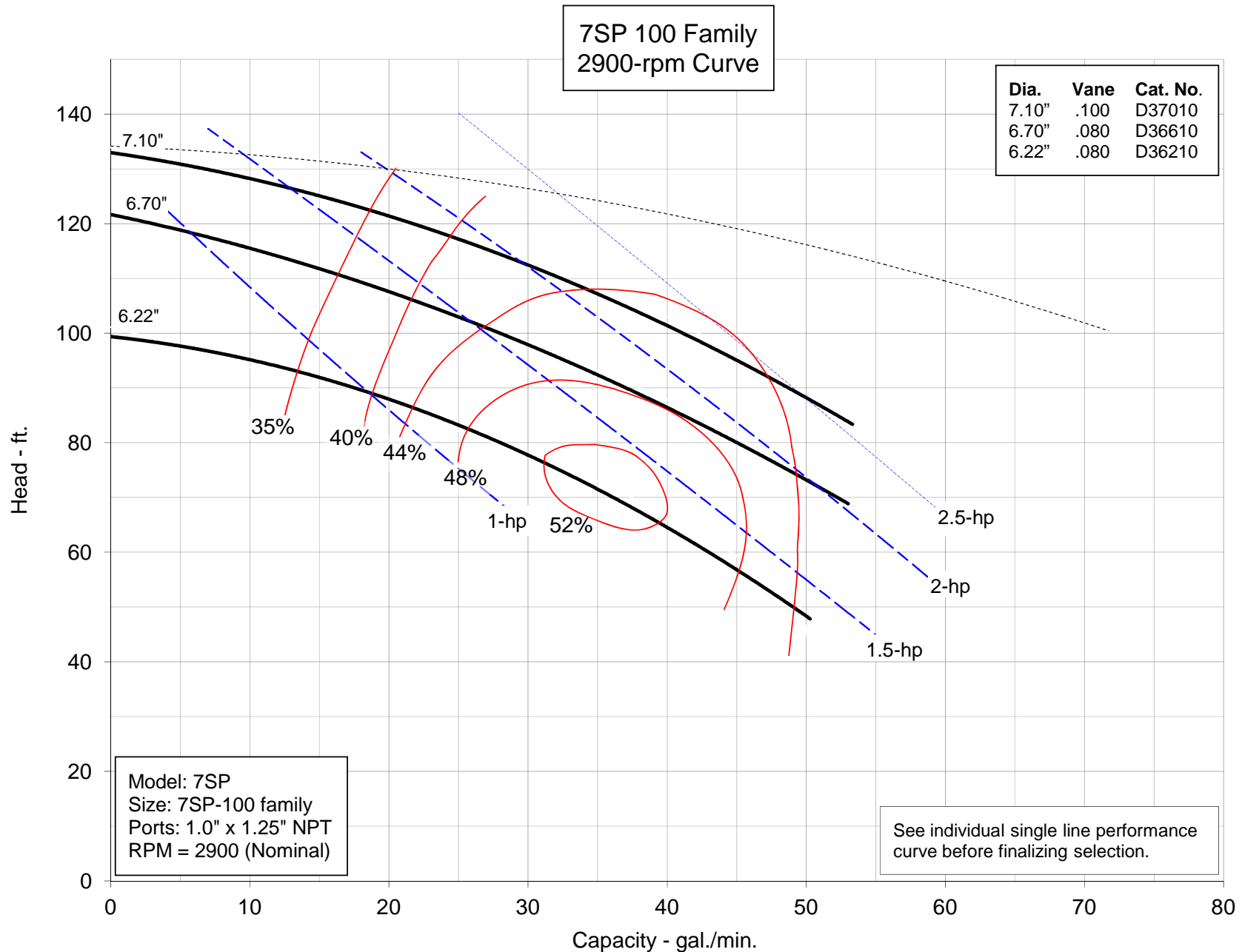
Stainless Steel Pumps for the Commercial Marketplace





AMERICAN STAINLESS PUMPS

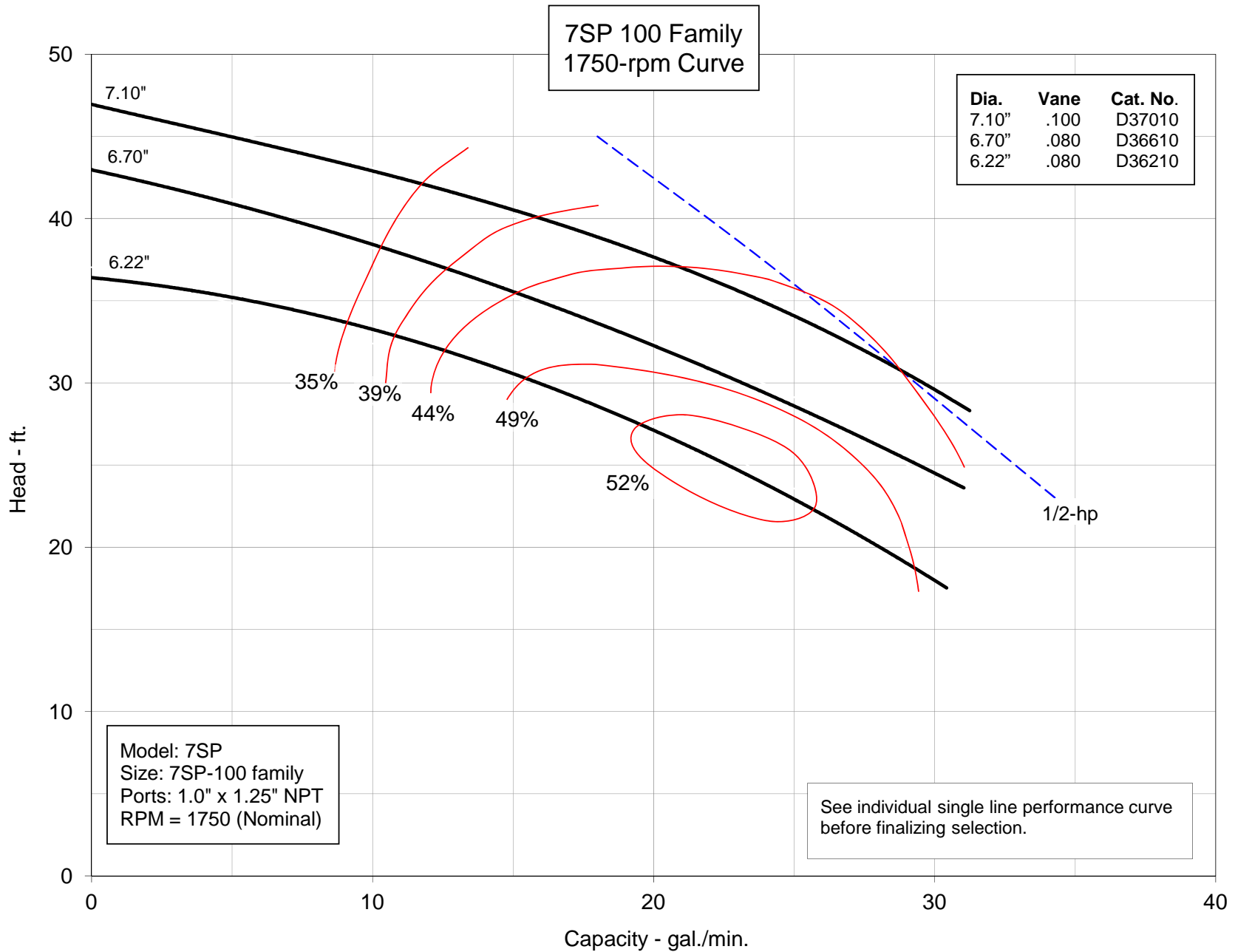
Stainless Steel Pumps for the Commercial Marketplace



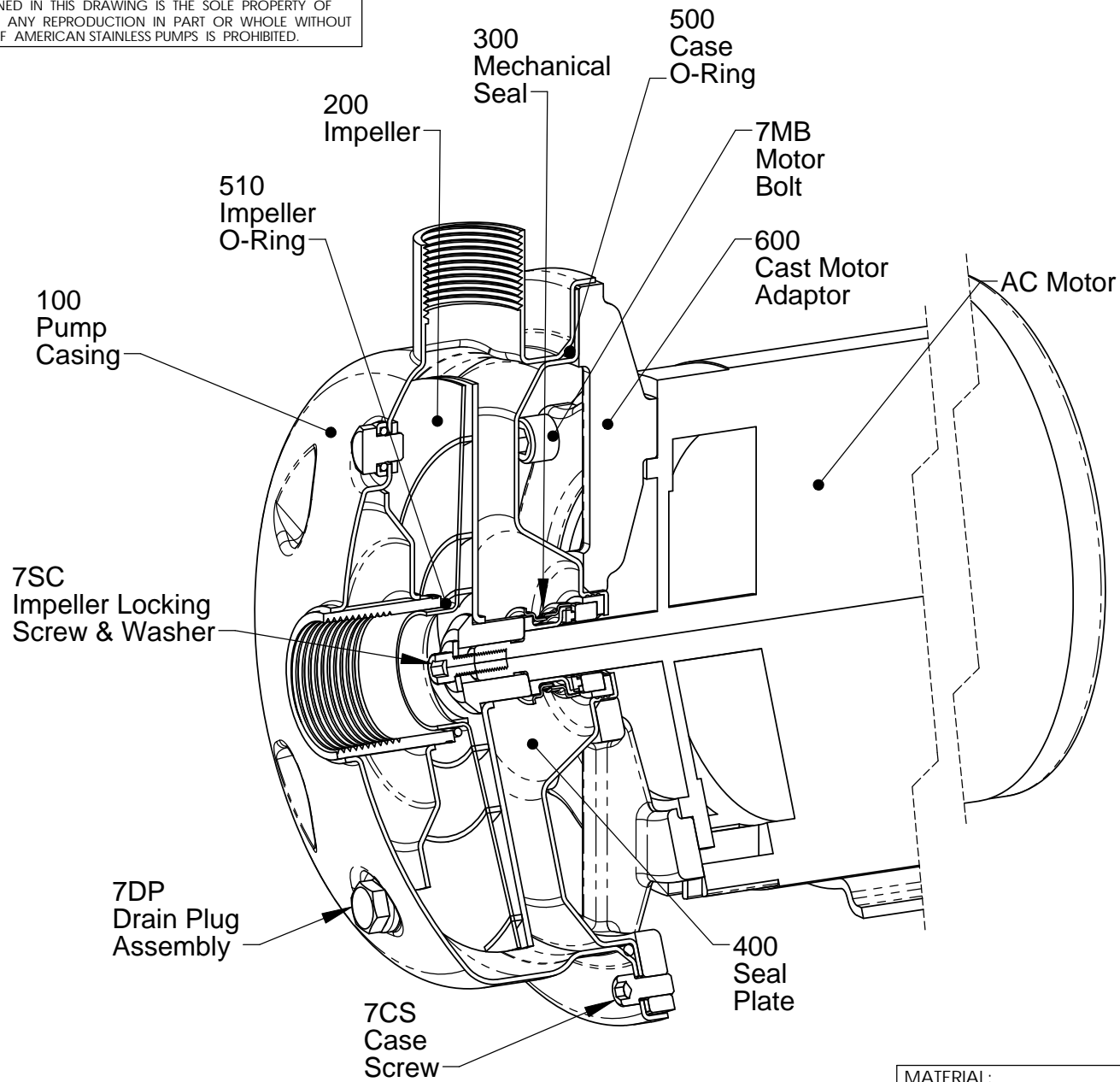


AMERICAN STAINLESS PUMPS

Stainless Steel Pumps for the Commercial Marketplace



THE INFORMATION CONTAINED IN THIS DRAWING IS THE SOLE PROPERTY OF AMERICAN STAINLESS PUMPS ANY REPRODUCTION IN PART OR WHOLE WITHOUT THE WRITTEN PERMISSION OF AMERICAN STAINLESS PUMPS IS PROHIBITED.



REV.	REVISION DESCRIPTION	DATE
0	ORIGINAL DOCUMENT	

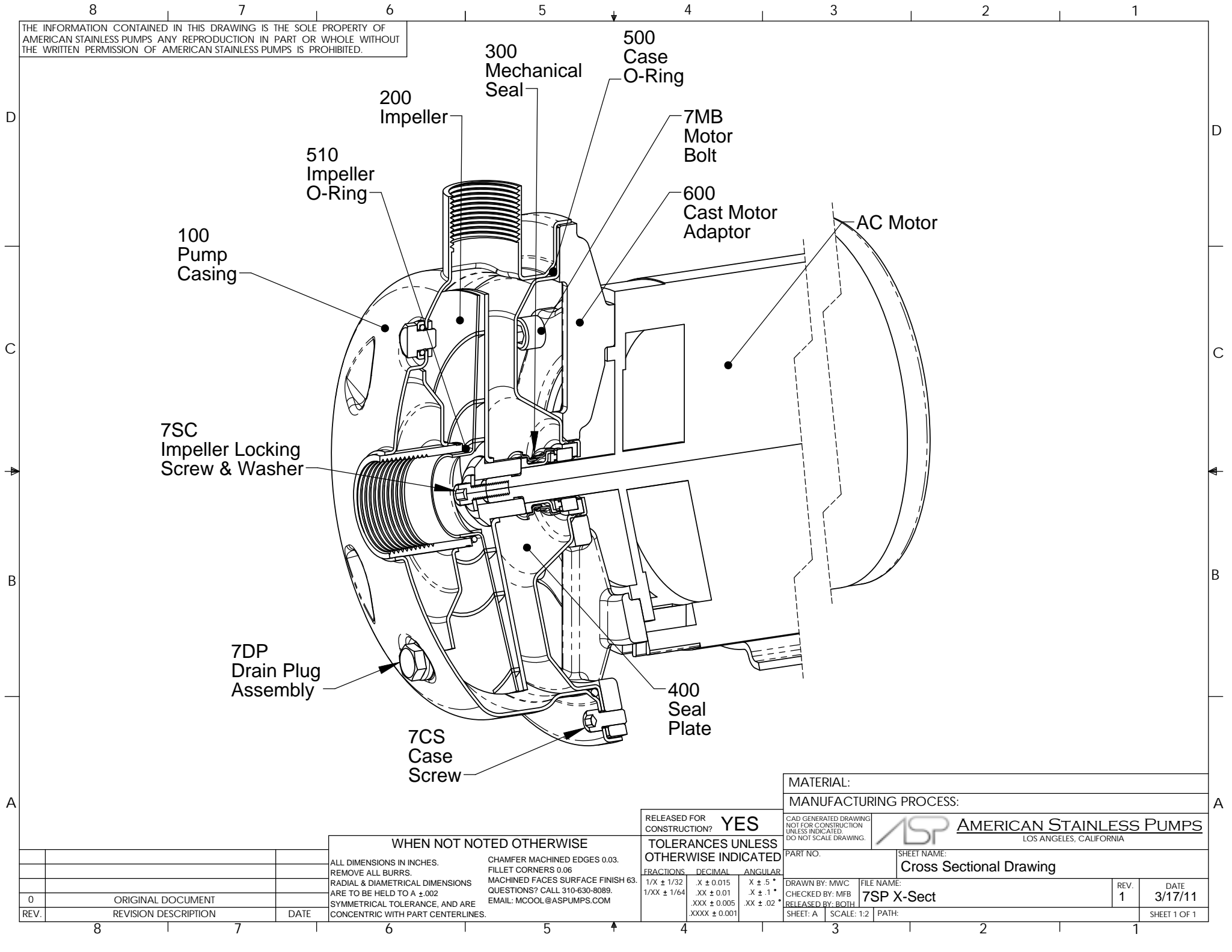
WHEN NOT NOTED OTHERWISE

ALL DIMENSIONS IN INCHES.
 REMOVE ALL BURRS.
 RADIAL & DIAMETRICAL DIMENSIONS ARE TO BE HELD TO A ±.002
 SYMMETRICAL TOLERANCE, AND ARE CONCENTRIC WITH PART CENTERLINES.

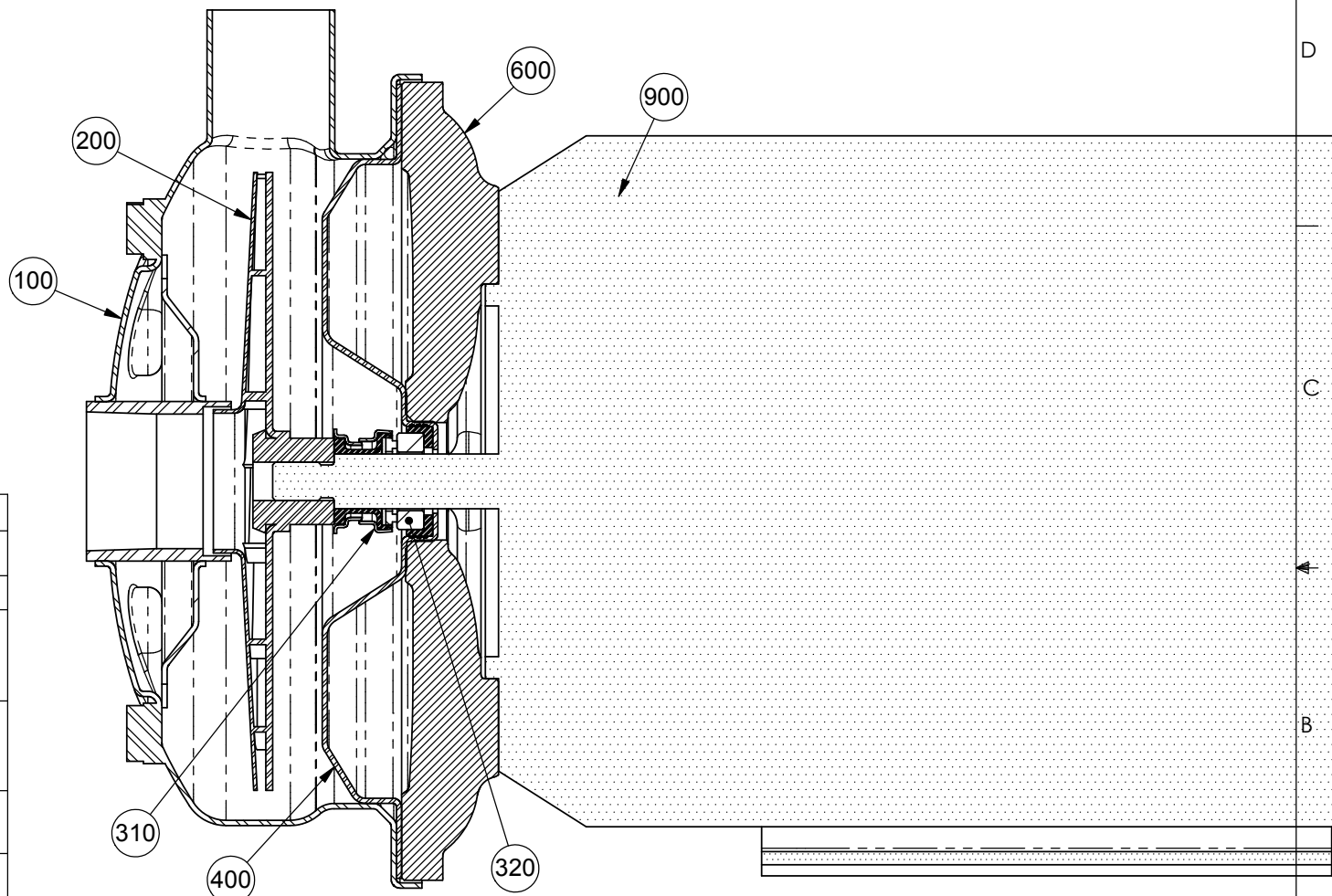
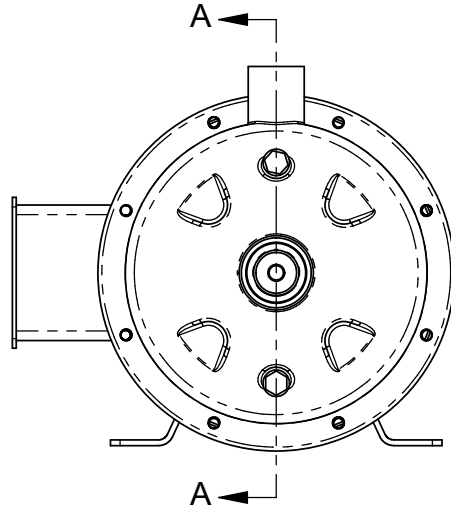
CHAMFER MACHINED EDGES 0.03.
 FILLET CORNERS 0.06
 MACHINED FACES SURFACE FINISH 63.
 QUESTIONS? CALL 310-630-8089.
 EMAIL: MCOOL@ASPUMPS.COM

RELEASED FOR CONSTRUCTION?	YES	
TOLERANCES UNLESS OTHERWISE INDICATED		
FRACTIONS	DECIMAL	ANGULAR
1/X ± 1/32	.X ± 0.015	X ± 5°
1/XX ± 1/64	.XX ± 0.01	.X ± 1°
	.XXX ± 0.005	XX ± .02°
	.XXXX ± 0.001	

MATERIAL:		CAD GENERATED DRAWING NOT FOR CONSTRUCTION UNLESS INDICATED. DO NOT SCALE DRAWING.	
MANUFACTURING PROCESS:			
PART NO.		SHEET NAME:	
		Cross Sectional Drawing	
DRAWN BY: MWC	FILE NAME:	REV.	DATE
CHECKED BY: MFB	7SP X-Sect	1	3/17/11
RELEASED BY: BOTH	SHEET: A	SCALE: 1:2	PATH:
		SHEET 1 OF 1	



THE INFORMATION CONTAINED IN THIS DRAWING IS THE SOLE PROPERTY OF AMERICAN STAINLESS PUMPS ANY REPRODUCTION IN PART OR WHOLE WITHOUT THE WRITTEN PERMISSION OF AMERICAN STAINLESS PUMPS IS PROHIBITED.



Item #	Description
100	7" Pump Casing
200	7" Enclosed Impeller
310	Mechanical Seal rotating element for 5/8" diameter shaft.
320	Mechanical Seal Seat 1.25-inch outer diameter
400	7" Sealplate
600	Cast Iron Motor Adapter
900	NEMA 56J Frame motor

SECTION A-A
SCALE 1 : 2

MATERIAL: 304 Stainless Steel Wetted Parts
MANUFACTURING PROCESS: Process

CAD GENERATED DRAWING NOT FOR CONSTRUCTION UNLESS INDICATED. DO NOT SCALE DRAWING.
ASP AMERICAN STAINLESS PUMPS
LOS ANGELES, CALIFORNIA

PART NO. **7SP** SHEET NAME: **Cross Sectional Drawing**

DRAWN BY: MWC FILE NAME: **7SP Cross Sectional Drawing** REV. **0** DATE **4/10/07**
CHECKED BY: MFB
RELEASED BY: BOTH
SHEET: A SCALE: 3:4 PATH: SHEET 1 OF 1

WHEN NOT NOTED OTHERWISE
ALL DIMENSIONS IN INCHES. CHAMFER MACHINED EDGES 0.03. REMOVE ALL BURRS. FILLET CORNERS 0.06. RADIAL & DIAMETRICAL DIMENSIONS ARE TO BE HELD TO A ±0.02 MACHINED FACES SURFACE FINISH 63. QUESTIONS? CALL 310-630-8089. SYMMETRICAL TOLERANCE, AND ARE CONCENTRIC WITH PART CENTERLINES. EMAIL: MCOOL@ASPUMPS.COM

RELEASED FOR CONSTRUCTION? **YES**
TOLERANCES UNLESS OTHERWISE INDICATED
FRACTIONS DECIMAL ANGULAR
1/X ± 1/32 .X ± 0.015 X ± .5°
1/XX ± 1/64 .XX ± 0.01 .X ± .1°
.XXX ± 0.005 .XX ± .02°
.XXXX ± 0.001

REV.	REVISION DESCRIPTION	DATE
0	ORIGINAL DOCUMENT	7/16/07